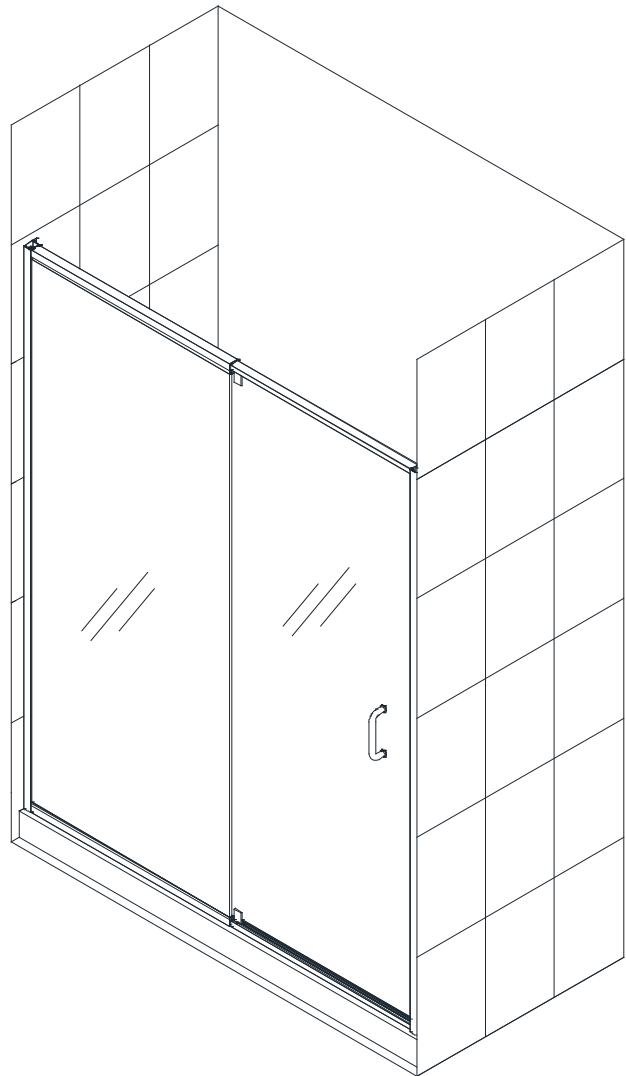
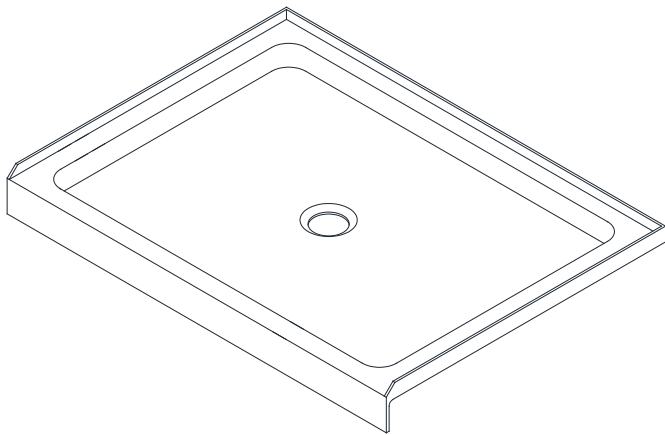


## Flex Shower Door & Base

### SHOWER DOOR & BASE INSTALLATION INSTRUCTIONS

#### IMPORTANT

DreamLine<sup>®</sup> reserves the right to alter, modify or redesign products at any time without prior notice. For the latest up-to-date technical drawings, manuals, warranty information or additional details please refer to your model's web page on **DreamLine.com**



**STEP 1: Shower Base Installation Instructions**

**STEP 2: Shower Door Installation Instructions**



**Questions?**

Please Call **DreamLine** Customer Support: **1-855-831-2126**  
Hours of Operation M-F 8AM - 7PM EST and Saturday 9AM - 5PM EST

**Support@DreamLine.com**



For more information about DreamLine<sup>®</sup> Shower Doors, Tub Doors & Enclosures, please visit **DreamLine.com**

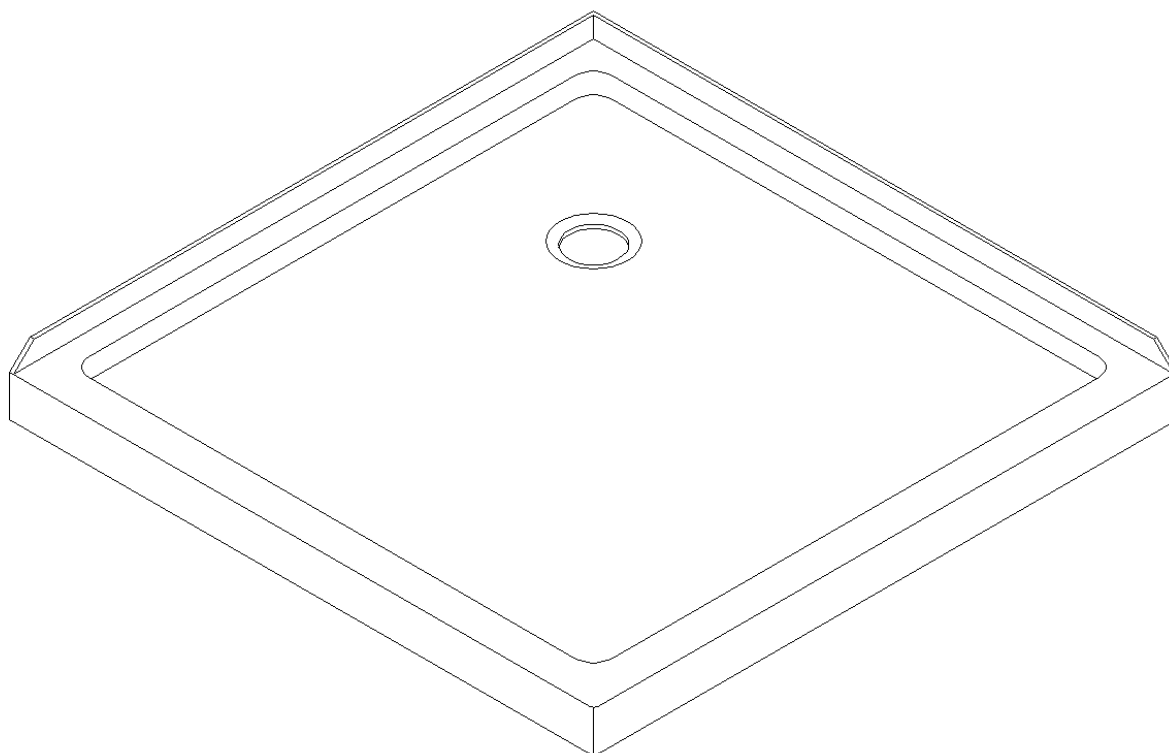


# SLIMLINE SHOWER BASE

## SHOWER BASE DIMENSIONS AND INSTALLATION INSTRUCTIONS

### IMPORTANT!

DreamLine® reserves the right to alter, modify or redesign products at any time without prior notice. For the latest up-to-date technical drawings, manuals, warranty information or additional details please refer to your model's web page on [DreamLine.com](http://DreamLine.com)



Double Threshold Shower Base with Corner Drain Configuration  
shown as an example

### Color options:

- - White
- 22- Biscuit
- 88- Black

**Please review this entire manual before beginning installation**



### Questions?

Please Call **DreamLine Customer Support: 1-855-831-2126**  
Hours of Operation M-F 8AM - 7PM EST and Saturday 9AM - 5PM EST

[Support@DreamLine.com](mailto:Support@DreamLine.com)



For more information about DreamLine® products please visit [DreamLine.com](http://DreamLine.com)

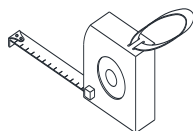
## Preparation

1. Prior to installation, examine all boxes and packages for shipping damage and compare the piece count with your packing slip. After opening all boxes and packages read this introduction carefully. Check that all of the needed parts are included in the package by checking off the components on the "Detailed Diagram of Shower Door Components". If the unit has been damaged, has a finishing defect, or has missing parts, please contact our customer support department within **3 business days** of the delivery date. Please note that **DreamLine® will not replace any damaged products or missing parts free of charge after 3 business days or if the product has been installed.** Please contact DreamLine® if you have any questions and please provide an order number, job name or other proof of purchase to help identify the original order.
2. Install all of the required plumbing and drainage before installing the shower base. **Use a competent and licensed (if required by local code) plumber for all plumbing installation.**
3. **Shower bases must be installed by a licensed plumber. Please note that you should consult your local building codes with questions on installation compliance standards. Building and plumbing codes may vary by location and DreamLine® is not responsible for code compliance standards for your project.**
4. Make sure that prior to the installation the installation surface is leveled and solid and will be able to support the total weight of the unit. Also make sure the walls are at right angles. While some adjustment in leveling of the tray is possible, irregular installation surface level or improper angle of side walls will result in serious problems for your installation. Please note that some adjustments may be necessary during the installation process.
5. **Center drain configurations are centered on the width only. See technical drawing tables for drain locations.**
6. **Drain not included with this product.** The drain *opening* is 3-3/8" in diameter and **accepts a standard 2" compression fitted drain.**

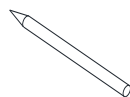
### **IMPORTANT NOTE:**

**Dimensions provided are for reference only. Measure the actual shower tray before installation. This includes overall dimensions and drain location. Allowed tolerance for center of the drain is +/-1/2".**

## Tools Required



Tape  
Measure



Pencil



Level

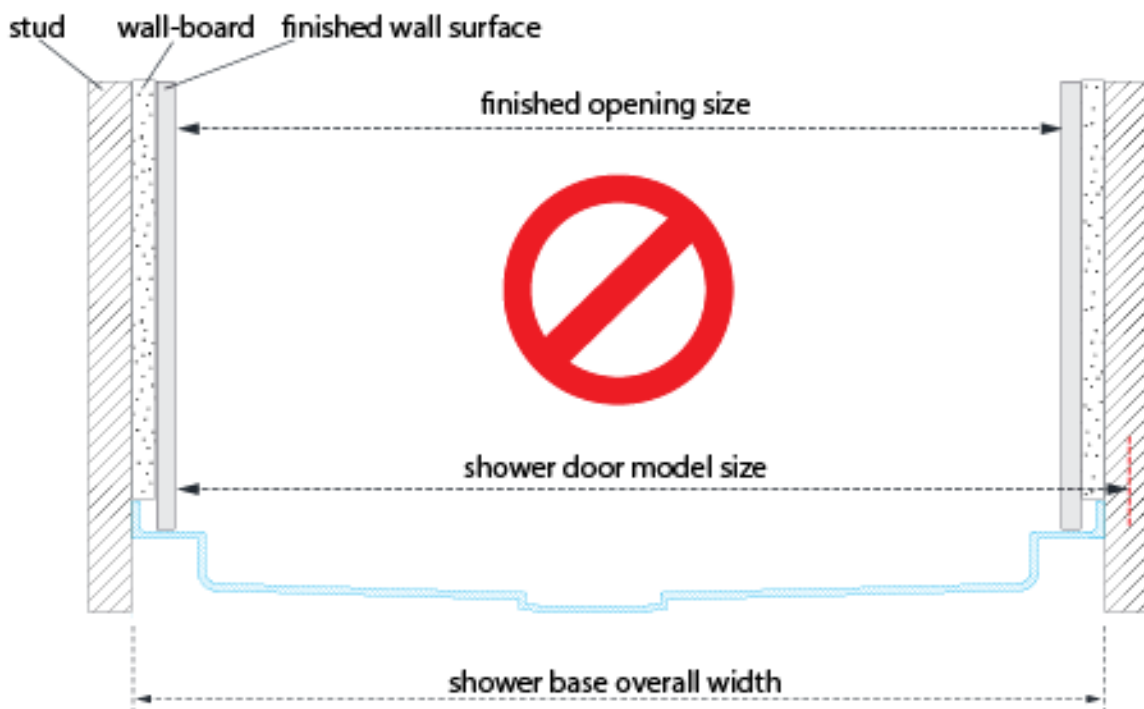
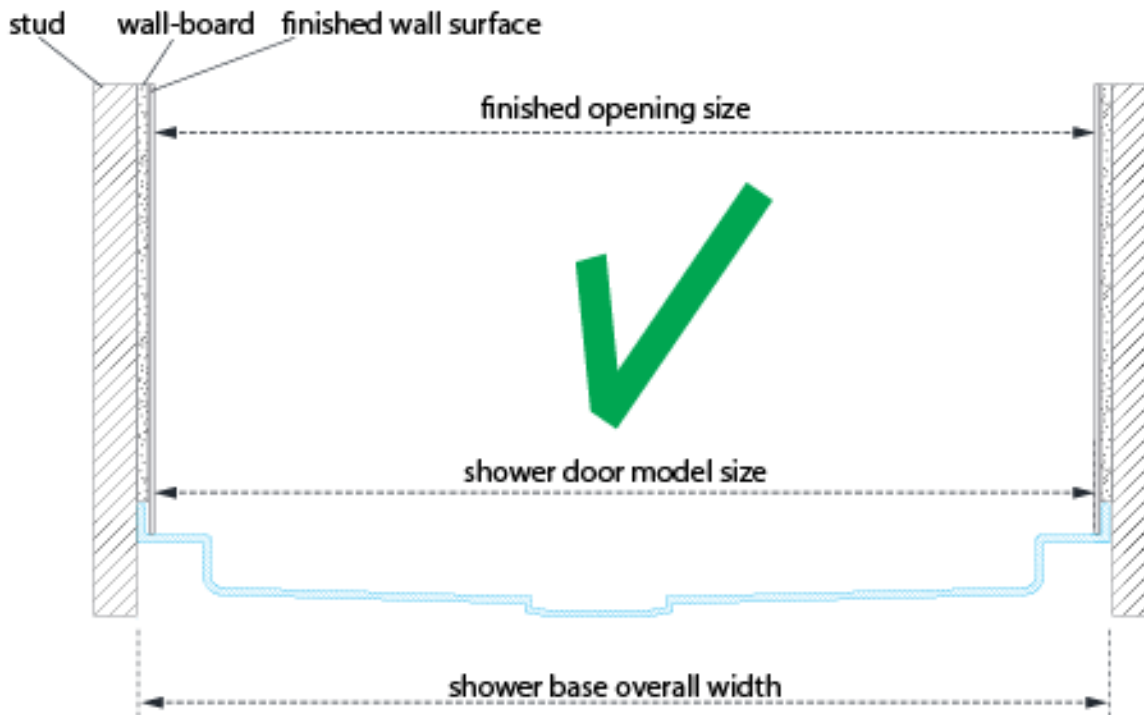


Mortar



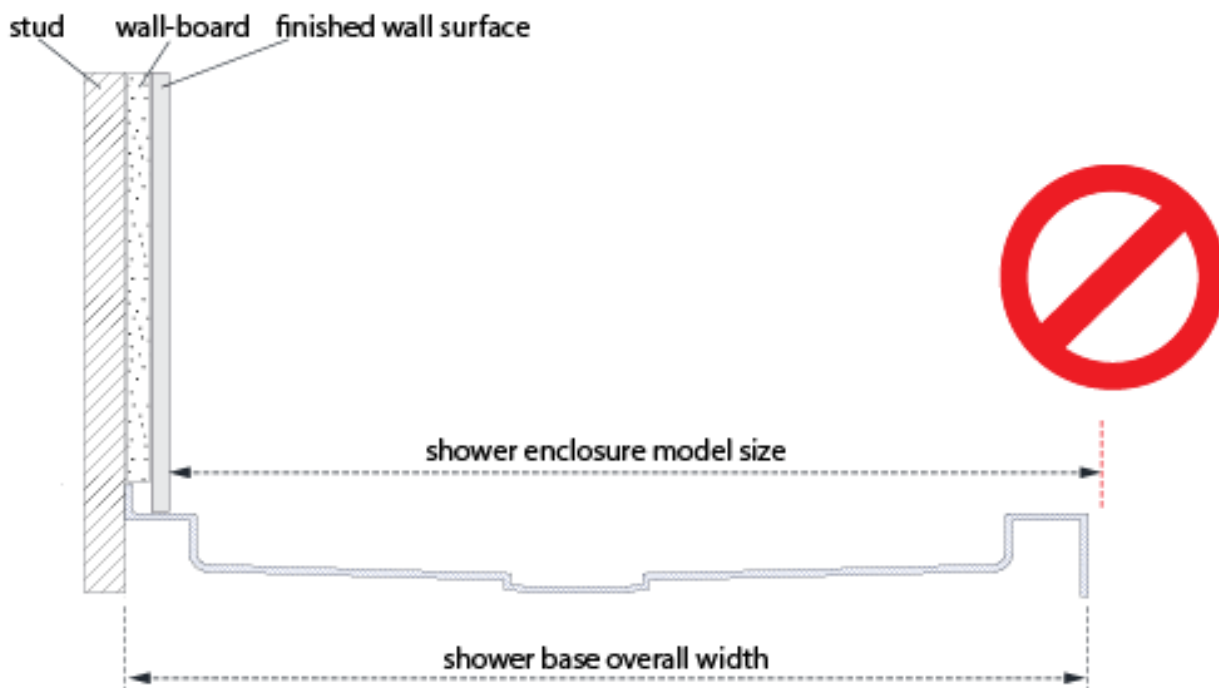
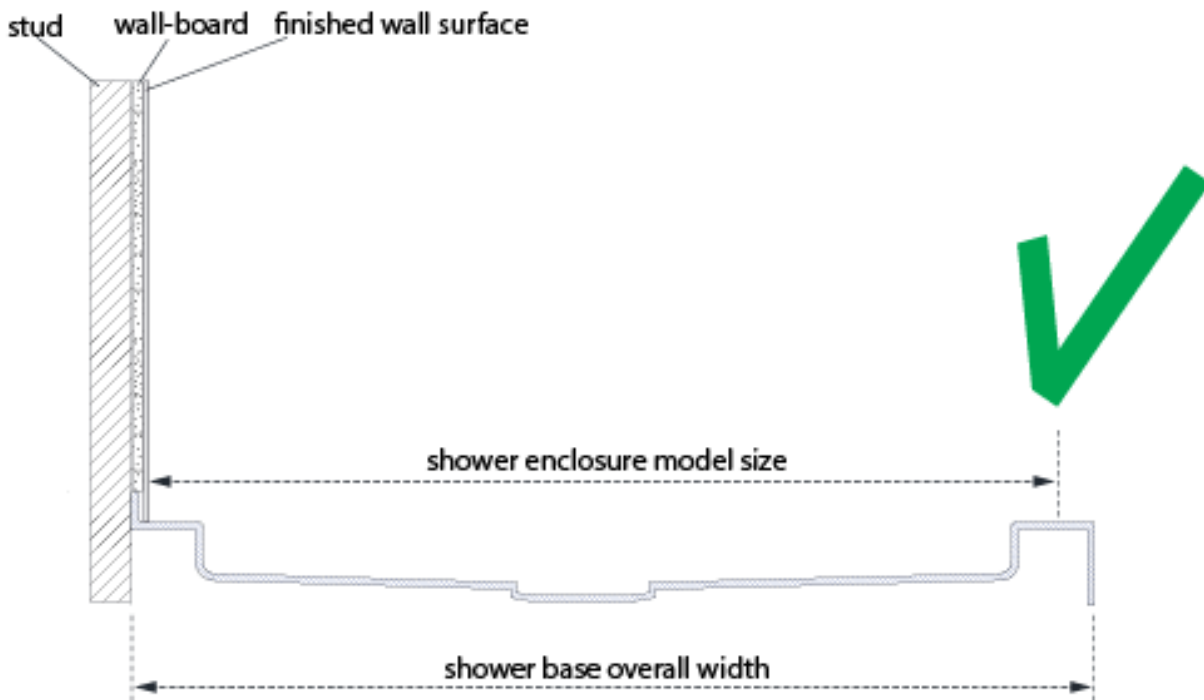
When constructing or installing a shower base, consider how **the thickness of the wall treatment (wallboard, tile, etc.) will affect the finished opening size for the shower door.**

Compare the overall dimensions of the shower door model with the finished opening size before proceeding with the installation.



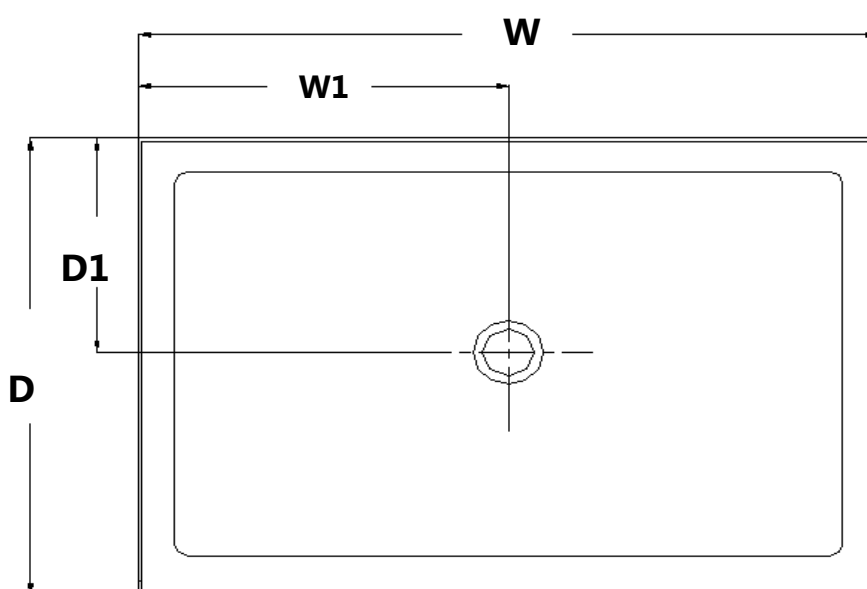
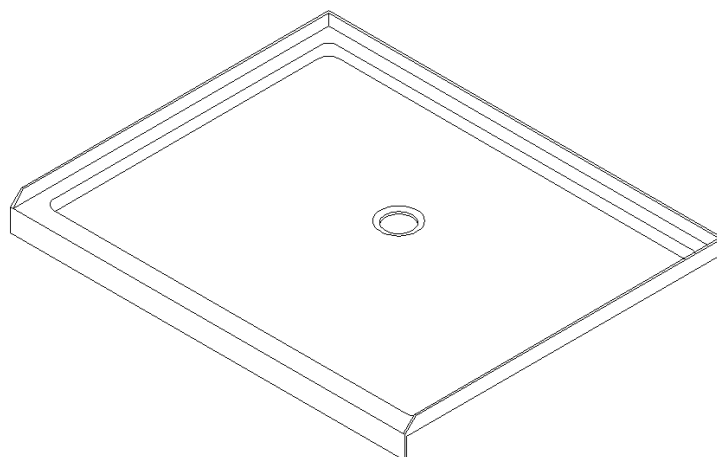


When constructing or installing a shower base, consider how **the thickness of the wall treatment (wallboard, tile, etc.) will affect where the shower enclosure will sit on the threshold.** Compare the overall outside dimensions of the shower enclosure model size with the finished threshold before proceeding with the installation.



## SINGLE THRESHOLD SHOWER BASE

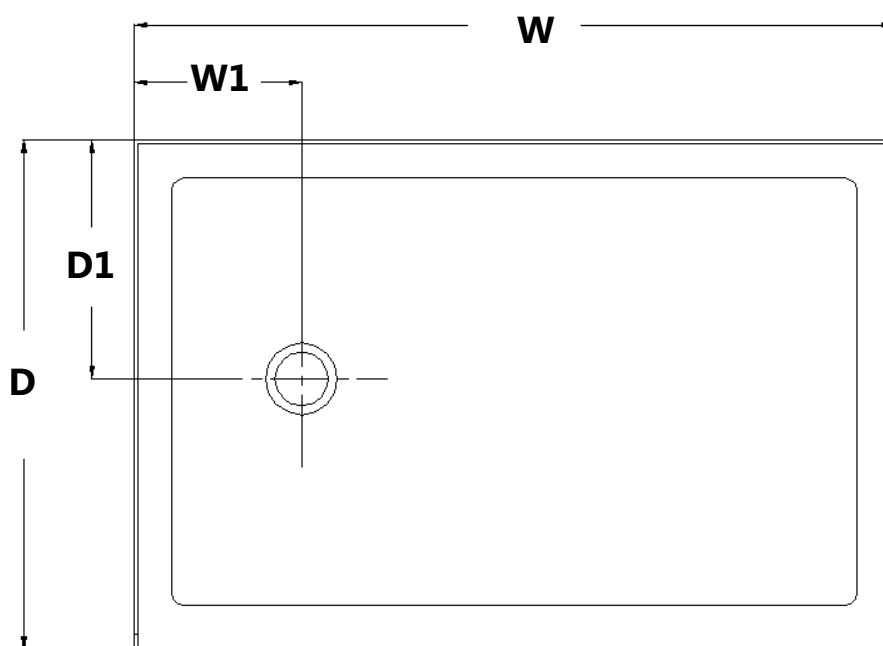
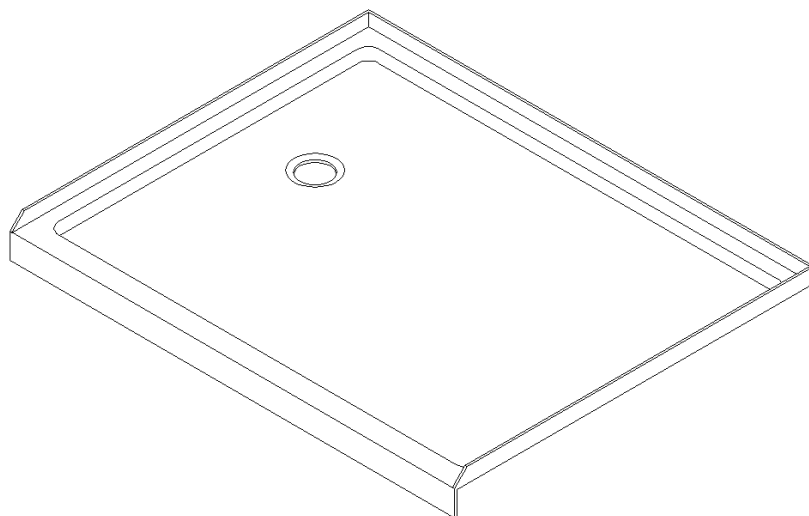
### Center Drain Configuration



| MODEL       | SPECIFICATION | D (in) | W (in) | D1 (in) | W1 (in) |
|-------------|---------------|--------|--------|---------|---------|
| DLT-1132320 | 32" x 32"     | 32"    | 32"    | 15"     | 16"     |
| DLT-1136360 | 36" x 36"     | 36"    | 36"    | 15"     | 18"     |
| DLT-1132420 | 32" x 42"     | 32"    | 42"    | 15"     | 21"     |
| DLT-1134420 | 34" x 42"     | 34"    | 42"    | 15"     | 21"     |
| DLT-1136420 | 36" x 42"     | 36"    | 42"    | 15"     | 21"     |
| DLT-1142420 | 42" x 42"     | 42"    | 42"    | 20"     | 21"     |
| DLT-1132480 | 32" x 48"     | 32"    | 48"    | 15"     | 24"     |
| DLT-1134480 | 34" x 48"     | 34"    | 48"    | 15"     | 24"     |
| DLT-1136480 | 36" x 48"     | 36"    | 48"    | 15"     | 24"     |
| DLT-1132540 | 32" x 54"     | 32"    | 54"    | 15"     | 27"     |
| DLT-1134540 | 34" x 54"     | 34"    | 54"    | 15"     | 27"     |
| DLT-1136540 | 36" x 54"     | 36"    | 54"    | 15"     | 27"     |
| DLT-1130600 | 30" x 60"     | 30"    | 60"    | 15"     | 30"     |
| DLT-1132600 | 32" x 60"     | 32"    | 60"    | 15"     | 30"     |
| DLT-1134600 | 34" x 60"     | 34"    | 60"    | 15"     | 30"     |
| DLT-1136600 | 36" x 60"     | 36"    | 60"    | 15"     | 30"     |

## SINGLE THRESHOLD SHOWER BASE

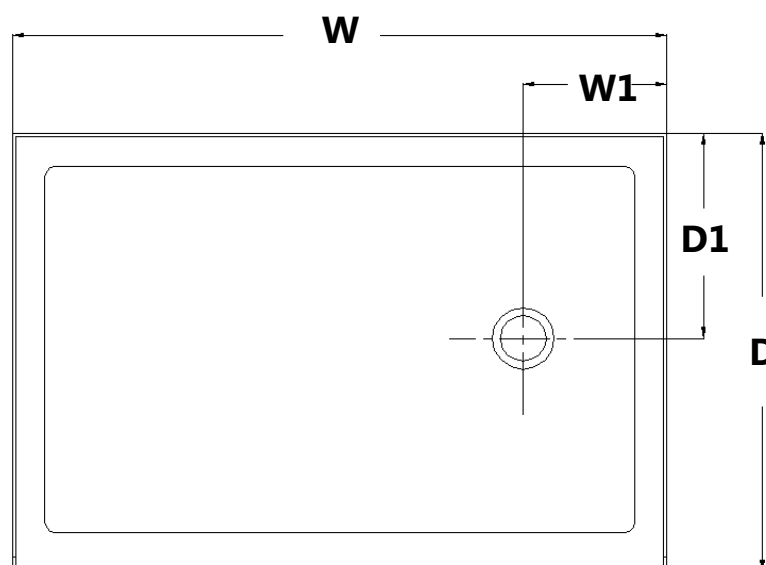
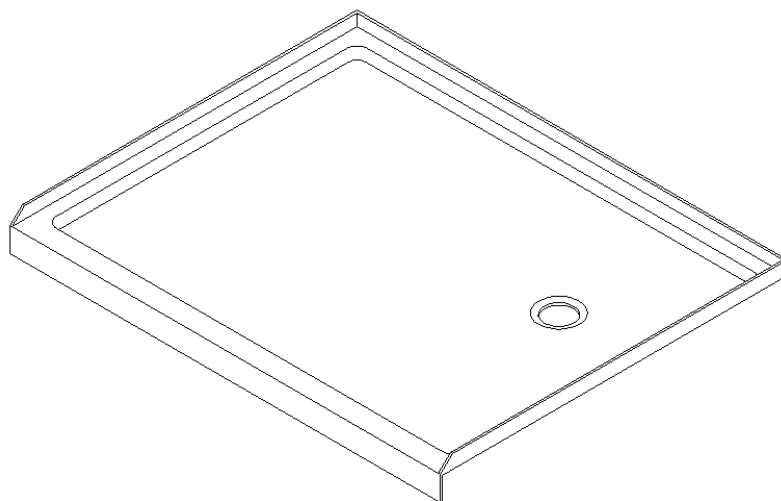
### Left-Hand Drain Configuration



| MODEL       | SPECIFICATION | D (in) | W (in) | D1 (in) | W1 (in) |
|-------------|---------------|--------|--------|---------|---------|
| DLT-1130601 | 30"×60"       | 30"    | 60"    | 15"     | 12"     |
| DLT-1132601 | 32"×60"       | 32"    | 60"    | 15"     | 12"     |
| DLT-1134601 | 34"×60"       | 34"    | 60"    | 17"     | 12"     |
| DLT-1136601 | 36"×60"       | 36"    | 60"    | 18"     | 12"     |

## SINGLE THRESHOLD SHOWER BASE

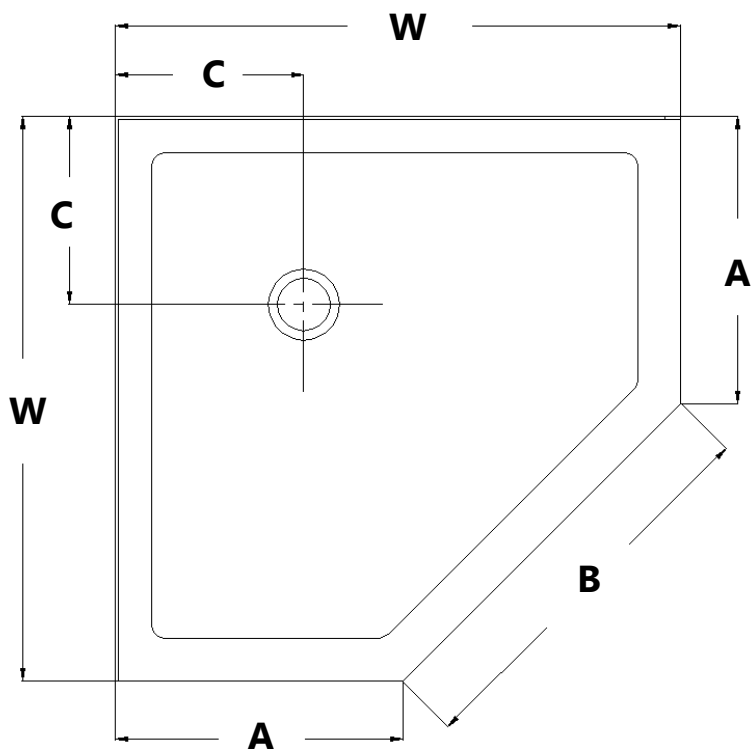
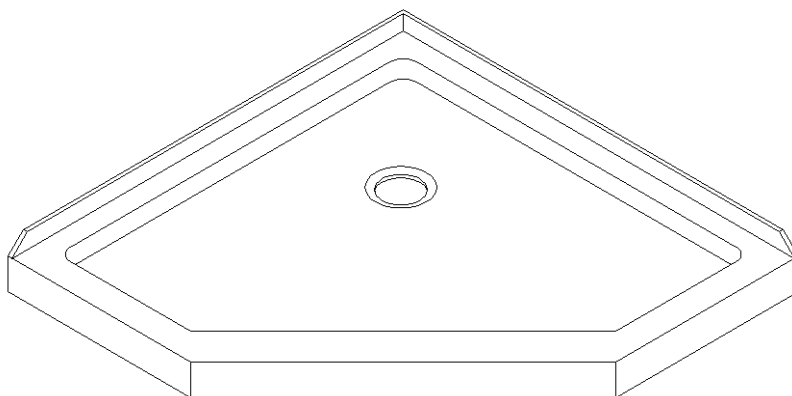
### Right-Hand Drain Configuration



| MODEL       | SPECIFICATION | D (in) | W (in) | D1 (in) | W1 (in) |
|-------------|---------------|--------|--------|---------|---------|
| DLT-1130602 | 30"×60"       | 30"    | 60"    | 15"     | 12"     |
| DLT-1132602 | 32"×60"       | 32"    | 60"    | 15"     | 12"     |
| DLT-1134602 | 34"×60"       | 34"    | 60"    | 17"     | 12"     |
| DLT-1136602 | 36"×60"       | 36"    | 60"    | 18"     | 12"     |

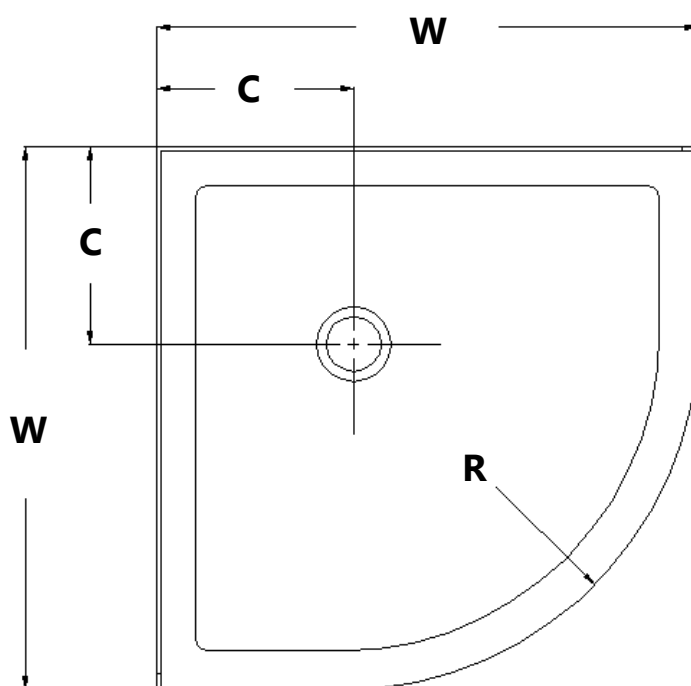
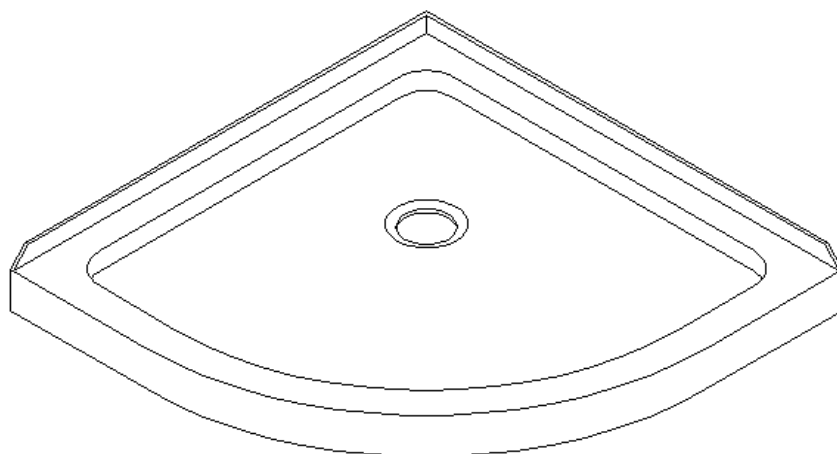


# NEO ANGLE SHOWER BASE



| MODEL       | SPECIFICATION | W (in) | A (in)   | B (in) | C (in)  |
|-------------|---------------|--------|----------|--------|---------|
| DLT-2036360 | 36"×36"       | 36"    | 18 5/16" | 25"    | 12"     |
| DLT-2038380 | 38"×38"       | 38"    | 20 5/16" | 25"    | 12"     |
| DLT-2040400 | 40"×40"       | 40"    | 22 5/16" | 25"    | 14 3/8" |
| DLT-2042420 | 42"×42"       | 42"    | 24 5/16" | 25"    | 14 3/8" |

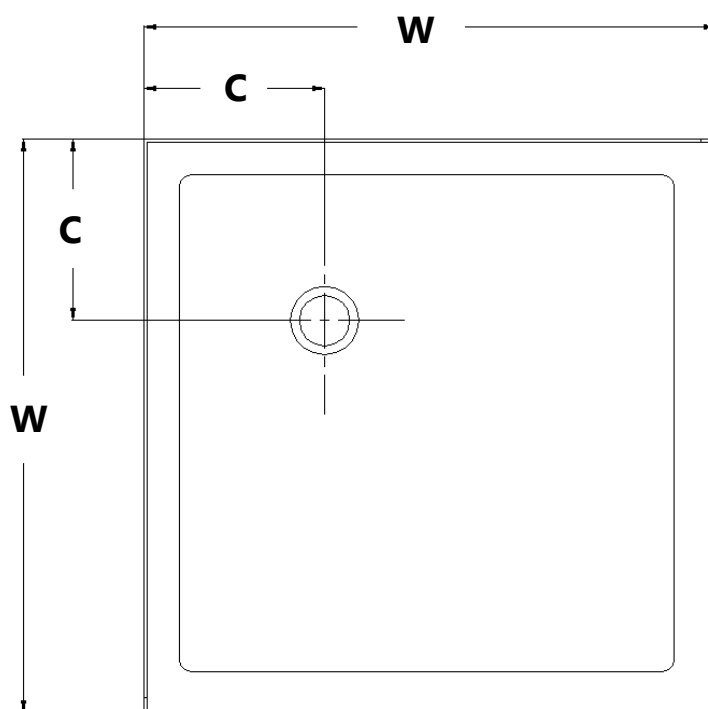
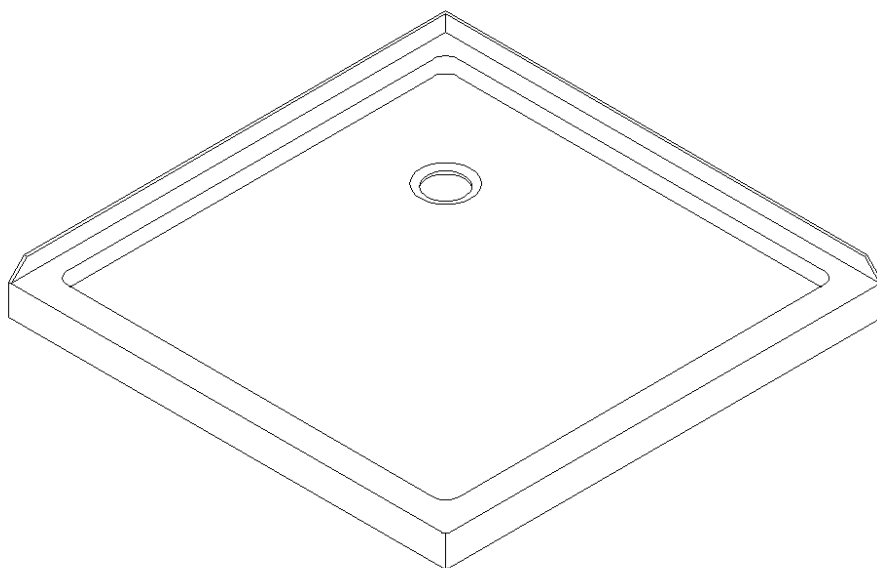
## QUARTER ROUND SHOWER BASE



| MODEL       | SPECIFICATION | W (in) | C (in) | R (in)  |
|-------------|---------------|--------|--------|---------|
| DLT-7033330 | 33"×33"       | 33"    | 12"    | 21 5/8" |
| DLT-7036360 | 36"×36"       | 36"    | 12"    | 21 5/8" |
| DLT-7038380 | 38"×38"       | 38"    | 12"    | 21 5/8" |

## DOUBLE THRESHOLD SHOWER BASE

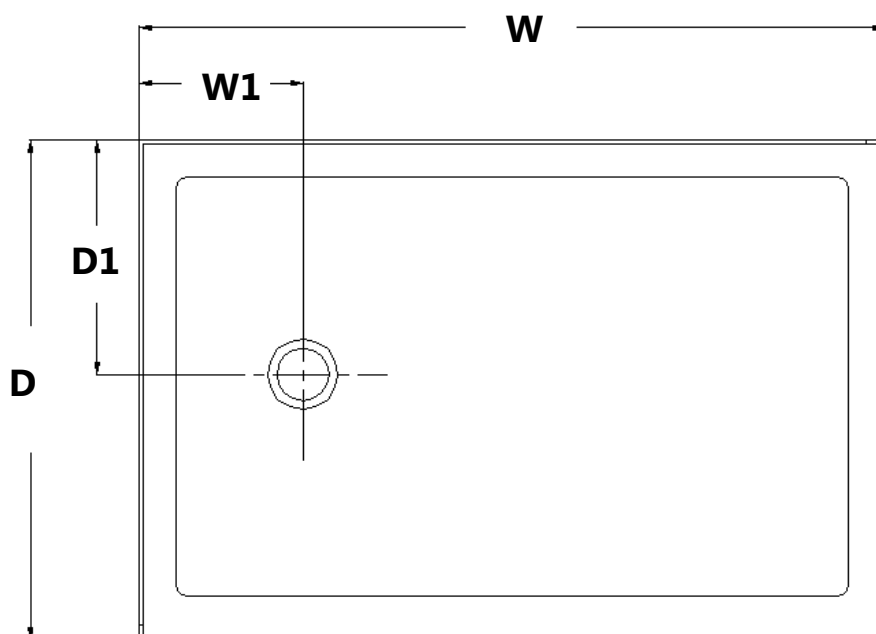
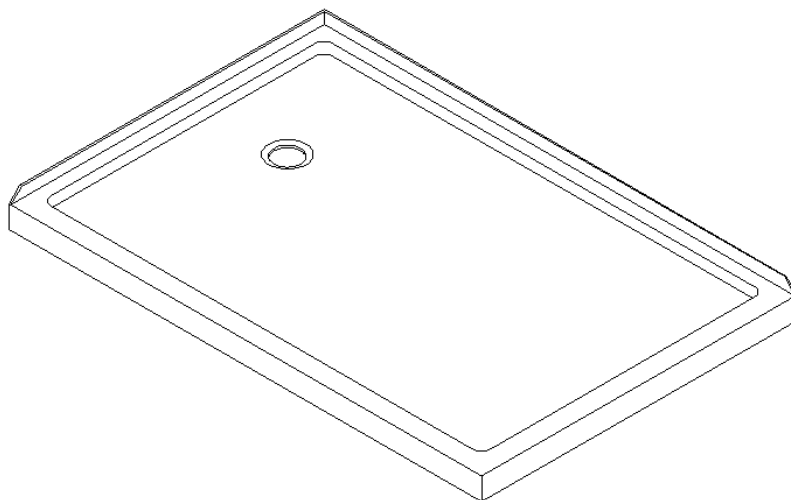
### Corner Drain Configuration



| MODEL       | SPECIFICATION | W (in) | C (in) |
|-------------|---------------|--------|--------|
| DLT-1032320 | 32"×32"       | 32"    | 12"    |
| DLT-1036360 | 36"×36"       | 36"    | 12"    |

## DOUBLE THRESHOLD SHOWER BASE

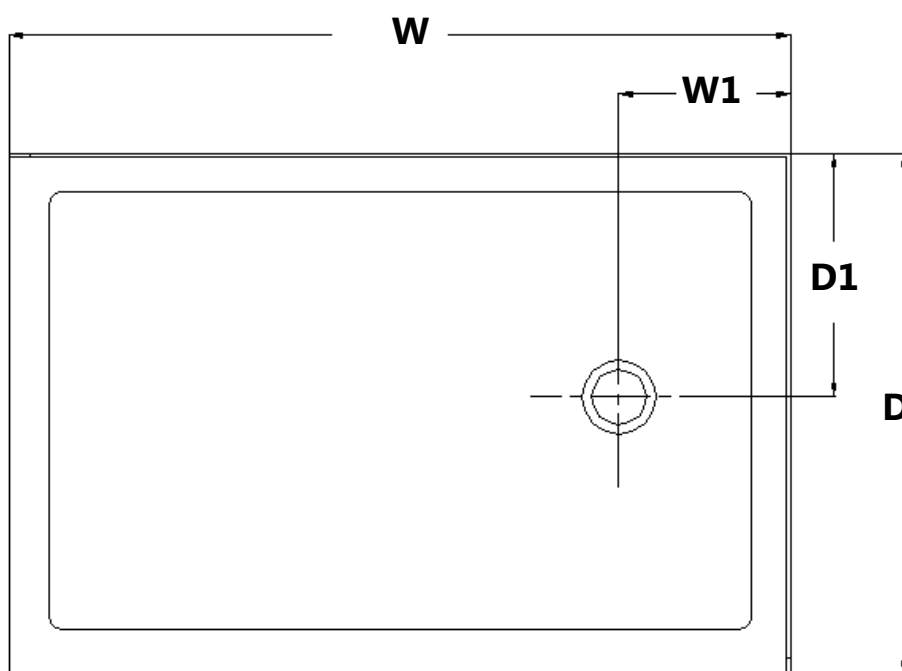
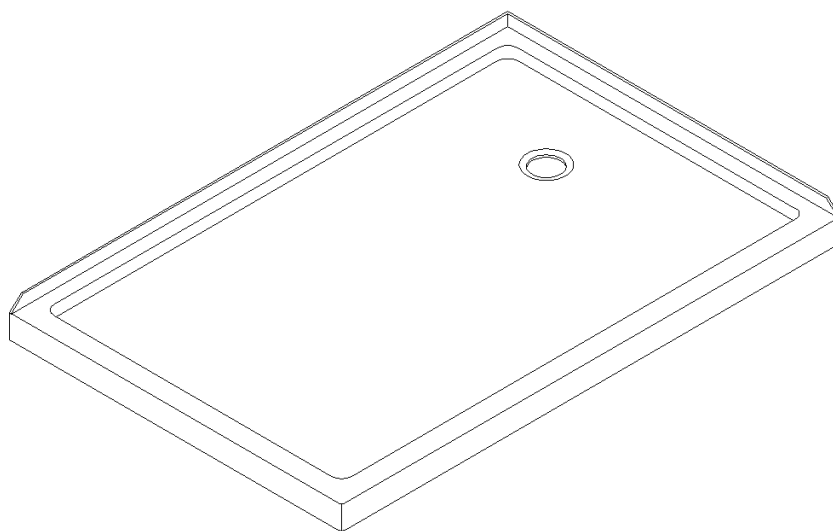
### Left-Hand Drain Configuration



| MODEL       | SPECIFICATION | D (in) | W (in) | D1 (in) | W1 (in) |
|-------------|---------------|--------|--------|---------|---------|
| DLT-1034481 | 34"×48"       | 34"    | 48"    | 17"     | 12"     |
| DLT-1036481 | 36"×48"       | 36"    | 48"    | 18"     | 12"     |
| DLT-1036541 | 36"×54"       | 36"    | 54"    | 18"     | 12"     |
| DLT-1036601 | 36"×60"       | 36"    | 60"    | 18"     | 12"     |

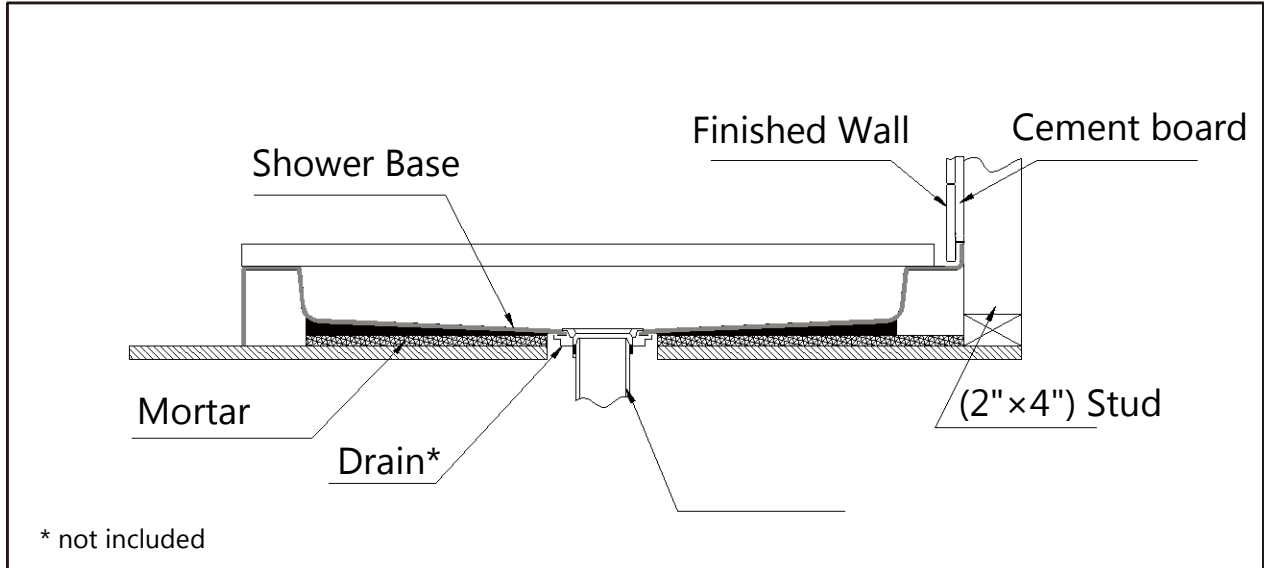
## DOUBLE THRESHOLD SHOWER BASE

### Right-Hand Drain Configuration



| MODEL       | SPECIFICATION | D (in) | W (in) | D1 (in) | W1 (in) |
|-------------|---------------|--------|--------|---------|---------|
| DLT-1034482 | 34"×48"       | 34"    | 48"    | 17"     | 12"     |
| DLT-1036482 | 36"×48"       | 36"    | 48"    | 18"     | 12"     |
| DLT-1036542 | 36"×54"       | 36"    | 54"    | 18"     | 12"     |
| DLT-1036602 | 36"×60"       | 36"    | 60"    | 18"     | 12"     |

## Shower Base Cross Section Diagram



## Shower Base Installation - Preparation

1. Ensure that the floor and the studs are at right angles.  
Provide a 5"×5" opening in the sub-floor for the drain.  
The 2" PVC waste pipe should extend above the surface of the sub-floor according to the drain installation instructions and the height of the Shower base.  
Refer to the product drawings and tables in this installation manual for the drain location.

See Fig. 1 and Fig. 2 for details.

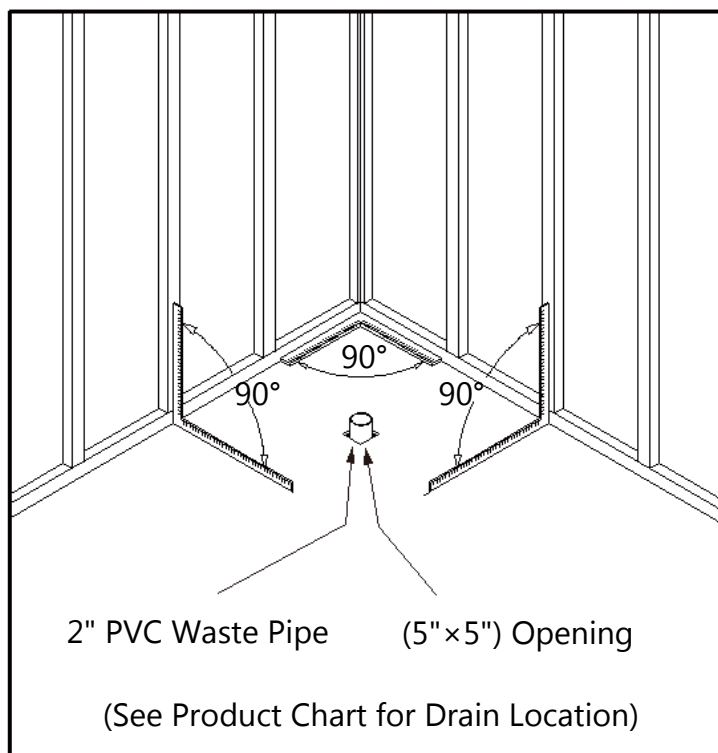


Fig. 1

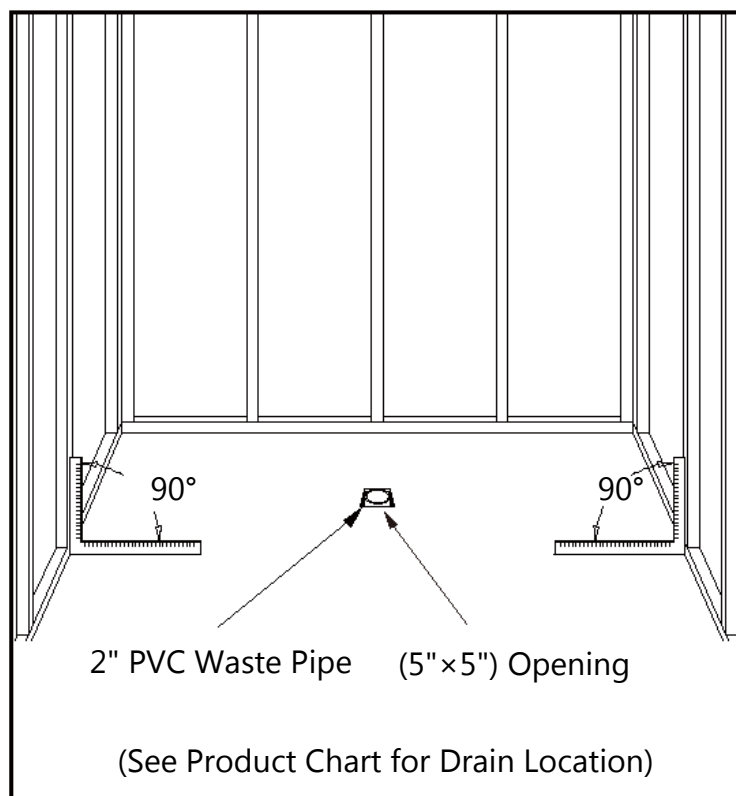


Fig. 2

2. Install the shower drain (**NOT INCLUDED**) according to the drain installation manual (supplied with the drain).

See Fig. 3 for example

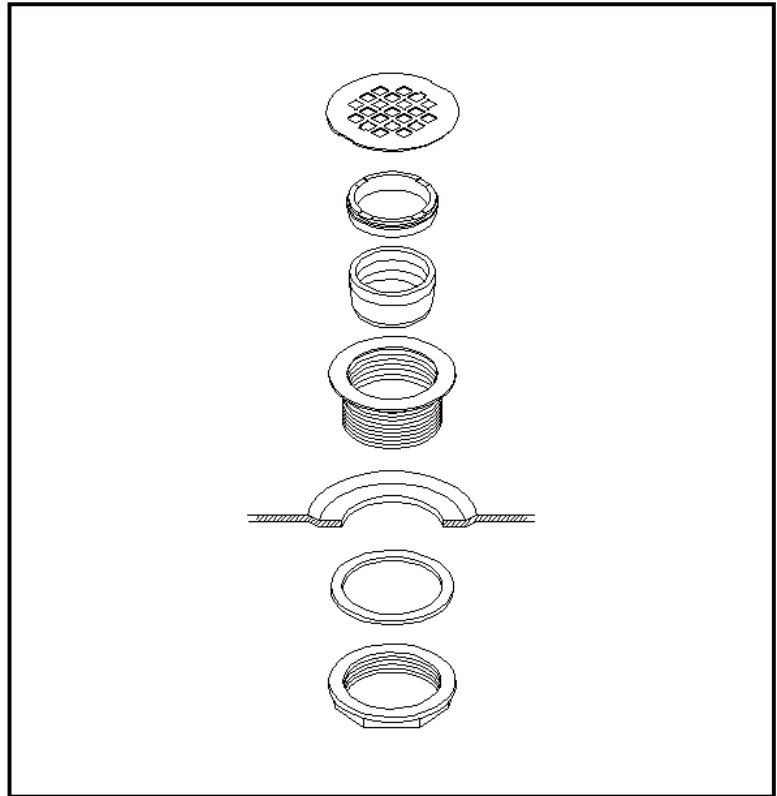
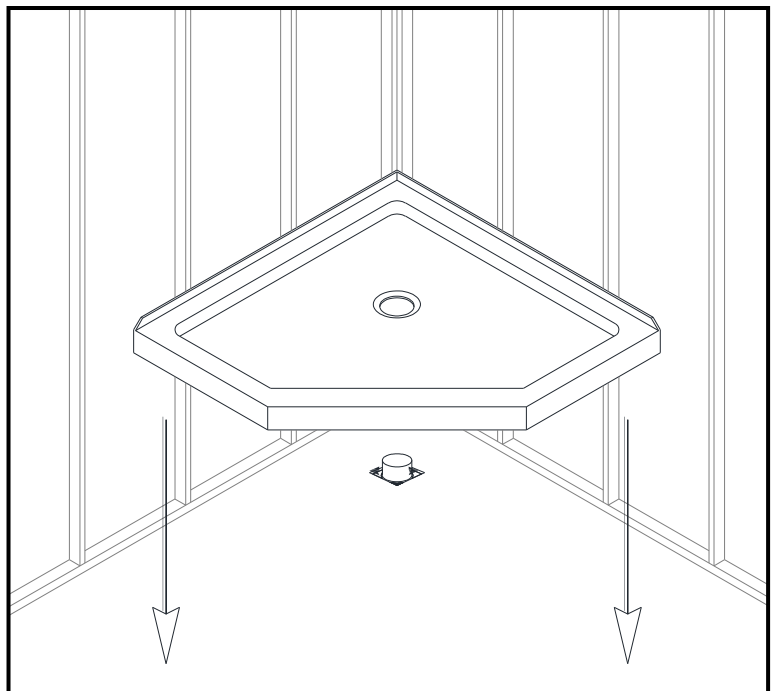


Fig. 3

3. Place the tray into the designated position so that the Drain cutout drops around the Drain Pipe and butt the Shower Base up against the studs.

See Fig. 4 for details.



Lower the base over the drain pipe and set it into place against the studs.

Fig. 4



4. Level the tray and place marks on the studs above the upper edge of the tile flange.

See Fig. 5 for details.

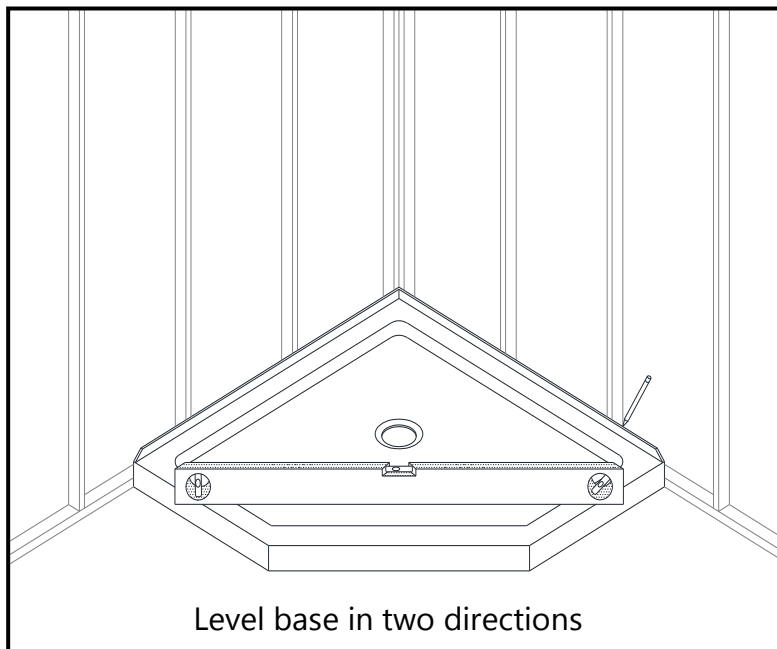


Fig. 5

5. Mix the bedding material (Mortar, cement-sand mix, etc.) **Concrete or plaster is not recommended.** Apply enough bedding material to support the entire bottom of the shower base. This will add additional stability and prevent the base from shifting position.

See Fig. 6 for details.

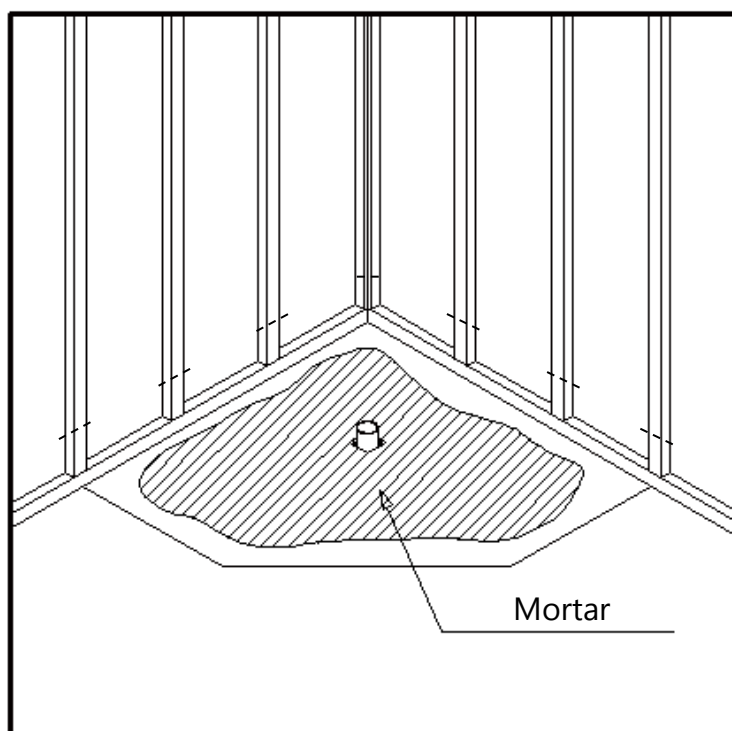


Fig. 6

6. After the bedding material has been poured and *before* it sets, place the shower base into the position with the drain assembly sliding over the PVC waste pipe. It will be necessary to push the shower base until the top of the tile flange aligns with the marks drawn on the studs and the front edge is contacting the rough floor along the entire length of the shower base. Ensure that the base is level in all directions. You may need to use shims to hold the tray level until the bedding fully sets. Remove all excess mortar.

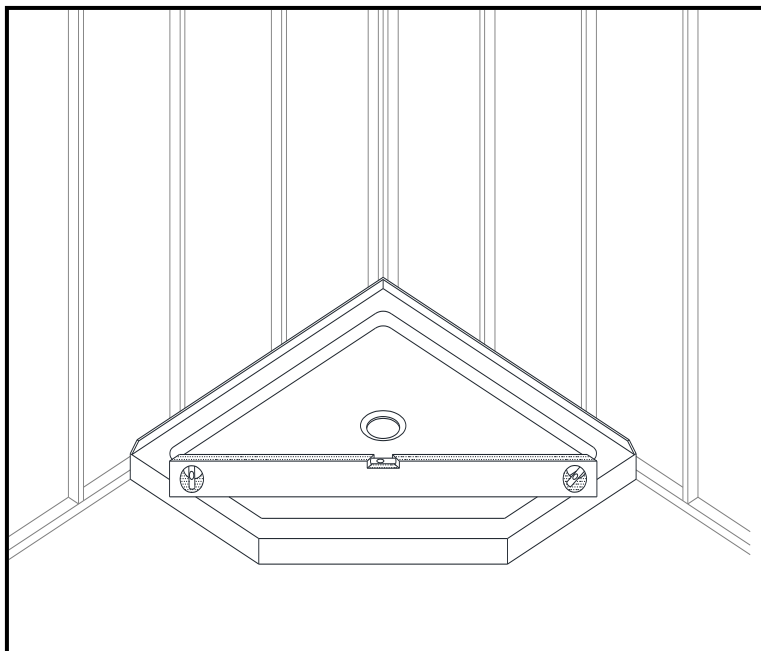


Fig. 7

7. Allow the bedding material to completely harden before applying weight to the bottom of the shower base.

Install the cement board (or the wallboard) above the tile flanges and secure it to the studs. Put the tiles (or other finishing wall material) over the cement board leaving 1/8" gap between the bottom of the tile or wall kit and the shower base. Use caulk to fill the gap.

See Fig. 8 and Fig. 9 for details.

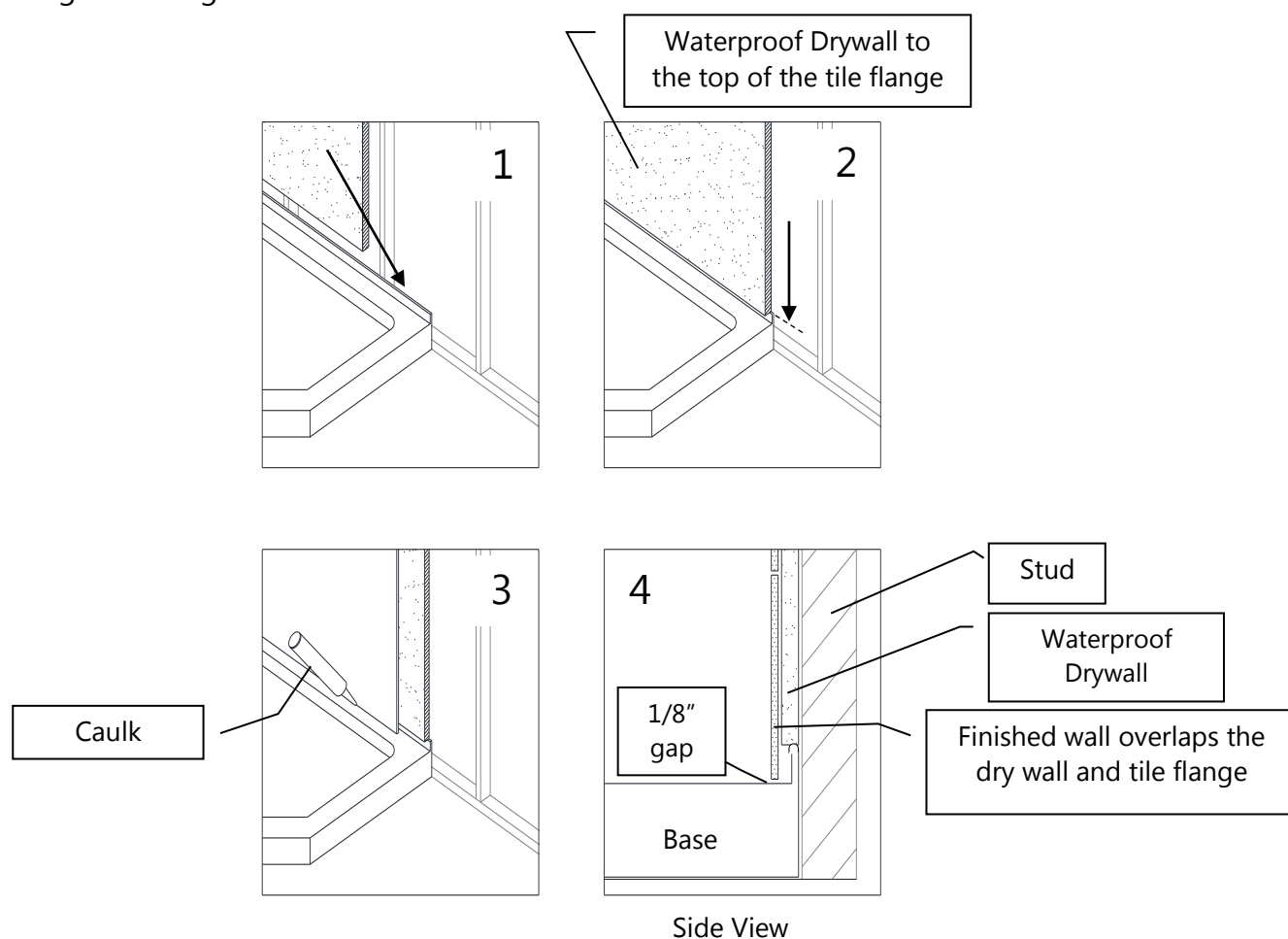


Fig. 8

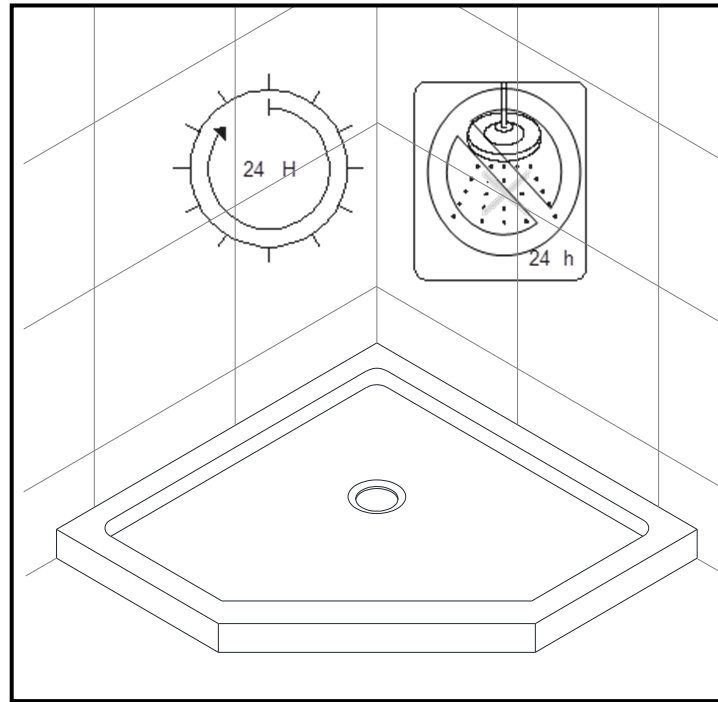


Fig. 9

## **Product Maintenance**

**BASES and BACKWALLS:** To ensure long lasting life for your acrylic base and/or back walls: wipe them off after each use with a soft cloth. To clean the acrylic base or back walls use non-abrasive sprays or cream based cleaners. Avoid the use of aerosol spray cleaners. Never use abrasive cleansers, metal brushes or scrapers that could scratch or dull the surface.

**GLASS:** To ensure long lasting life for your glass shower products: wipe them off after each use with a soft cloth. Rinse and wipe off the glass using either a soft cloth or a squeegee to prevent soap buildup and water spots (Hard water can etch the surface of the glass over time if left to dry). To prevent scratching the surface: never use abrasive cleaners or cleaning products that contain scouring agents. Never use bristle brushes or abrasive sponges that may scratch the surface.

**HARDWARE:** To ensure a long lasting finish: wipe off the metal parts after each use with a soft cloth. Do not use abrasive cleaners or cleaning products containing ammonia, bleach or acid. If accidentally used, rinse the surface as soon as possible to prevent damage to the finish (peeling or corrosion). After cleaning the polished finishes, rinse thoroughly and wipe dry with a soft cloth.

Clean stainless steel surfaces at least once a week. When applying stainless steel cleaner or polish to stainless steel hardware, work with (not across) the grain. Never use an abrasive sponge or cloth, steel wool or wired brush as these may permanently scratch the surfaces.

**NOTE:** To maximize the life of your door, it is important to regularly inspect the glass and other hardware for misalignment, proper attachment, and/or damage. Contact DreamLine with any questions or concerns.



TEL: [866-731-2244](tel:866-731-2244)

FAX: [866-857-3638](tel:866-857-3638)

[DREAMLINE.COM](http://DREAMLINE.COM)

For more information on [DreamLine® Shower Doors](http://DreamLine.com) and [Enclosures](#) please visit [DreamLine.com](http://DreamLine.com)

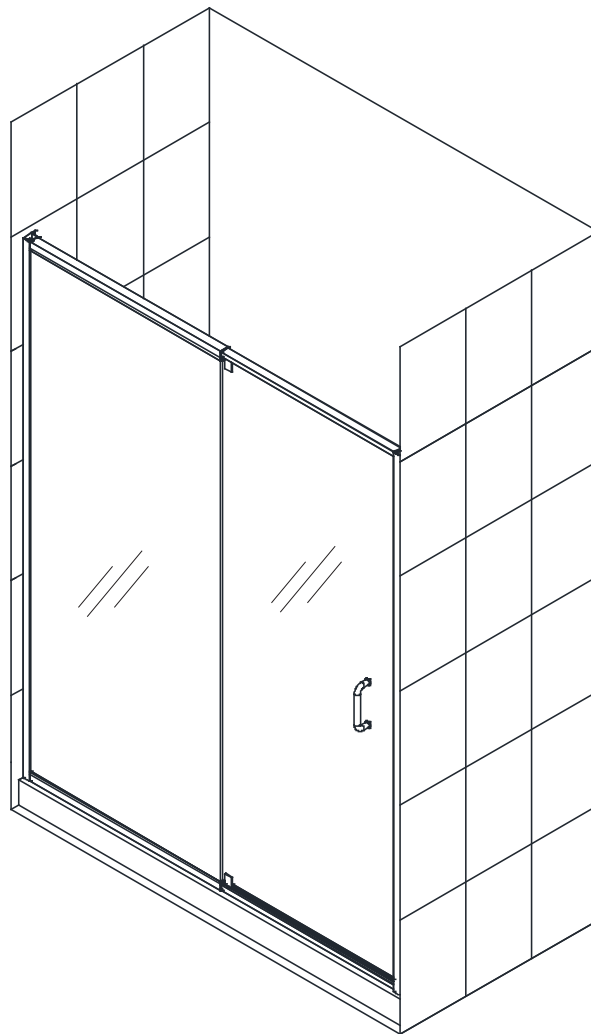


# FLEX 42"x 72" / 48"x 72" / 60"x 72"

## SHOWER DOOR INSTALLATION INSTRUCTIONS

### IMPORTANT

DreamLine® reserves the right to alter, modify or redesign products at any time without prior notice. For the latest up-to-date technical drawings, manuals, warranty information or additional details please refer to your model's web page on **DreamLine.com**



### MODEL #s

SHDR-22427200-##

SHDR-22487200-##

SHDR-22607200-##

##=finish

-01- Chrome

-04 - Brushed Nickel

Right hand door installation shown

Please review this entire manual before starting the installation



### Questions?

Please Call **DreamLine Customer Support: 1-855-831-2126**  
Hours of Operation M-F 8AM - 7PM EST and Saturday 9AM - 5PM EST

[Support@DreamLine.com](mailto:Support@DreamLine.com)



For more information about DreamLine® Shower Doors & Tub Doors please visit **DreamLine.com**

## Preparation

1. Prior to installation, examine all boxes and packages for shipping damage and compare the piece count with your packing slip. After opening all boxes and packages read this introduction carefully. Check that all of the needed parts are included in the package by checking off the components on the "Detailed Diagram of Shower Door Components". If the unit has been damaged, has a finishing defect, or has missing parts, please contact our customer support department within **3 business days** of the delivery date. **Please note that DreamLine® will not replace any damaged products or missing parts free of charge after 3 business days or if the product has been installed.** Contact DreamLine® if you have any questions, and please provide an order number, job name or other proof of purchase to help to identify the original order.

2. **Please note that you should consult your local building codes with questions on installation compliance standards. Building and plumbing codes may vary by location, and DreamLine® is not responsible for code compliance standards for your project and will not accept any returns.**

3. If this unit is going to be installed in a new construction, please install all of the required plumbing and drainage before installing the shower. Use a competent and licensed (if required by local code) plumber for all plumbing installation

4. Please make sure that prior to beginning the installation, the surfaces are leveled and solid and will be able to support the total weight of the unit. Also make sure the walls are at right angles. Irregular installation surface level, radius corners or improper angle of side walls will result in serious problems for your installation. Please, note that some adjustments and drilling might be necessary during the installation process.

5. Please protect all primary surfaces of the product during installation. Never set your glass down directly onto a tile floor. Leave corner protectors in place until necessary to remove them. Always use a piece of wood or cardboard to protect the bottom edge and corners of the glass prior to and during installation.

6. This unit must be installed upon a finished threshold and against finished walls.

7. This model has 4" of total width adjustment: including 1/2" of adjustment per wall profile for out-of-plumb wall conditions plus 3" of overall width adjustment with the expanding top and bottom rails. **Be sure that you have ordered the correct model size to fit your finished opening.**

8. **This model requires a minimum 1-3/8" of flat threshold space for installation.**

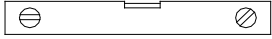
9. **Professional installation recommended.**

**NOTE: This door is reversible for right or left-hand door installation. See step #4 for details. The right-hand door installation is shown as an example throughout this manual.**

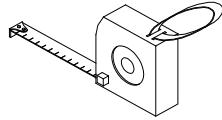


**NOTE:** DO NOT install the handle onto the door glass until instructed to do so. DO NOT attempt to lift the glass using the handle. This could result in damage to the glass and/or serious personal injury. Always use an assistant or a professional grade glass suction cup when handling heavy glass.

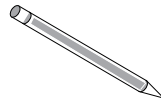
## Tools



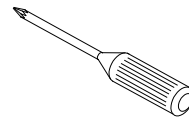
Level



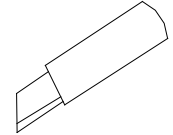
Tape Measure



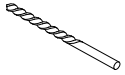
Pencil



Phillips Screwdriver



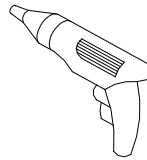
Razor Knife



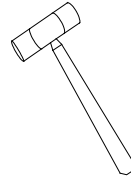
Drill bit  
( $\text{Ø}=5/16"$ )  
(8mm)



Drill bit  
( $\text{Ø}=1/8"$ )  
(3mm)



Power Drill



Hammer

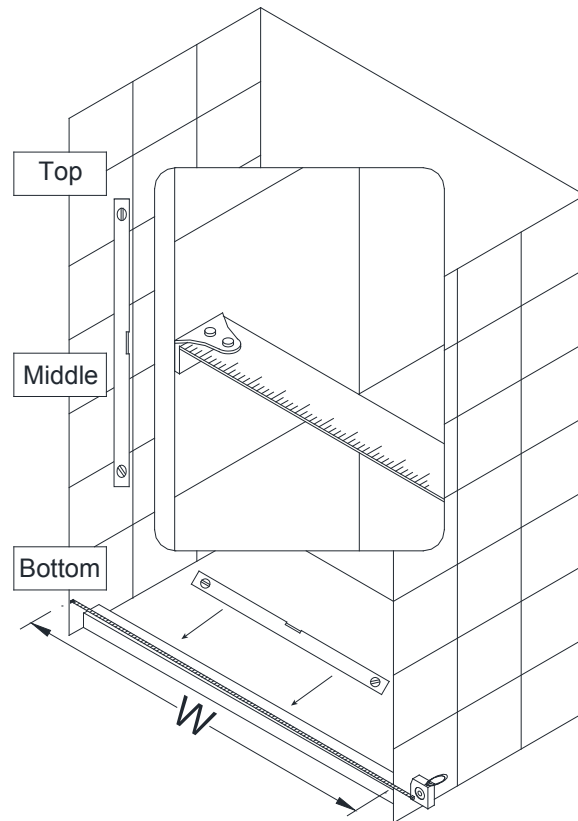


Caulk

**Tip:** Measure the finished opening before proceeding with the installation to be sure that the correct model size has been ordered.

**Tip:** Prior to installation, cover the shower/tub drain with tape to prevent losing screws or small parts.

**Tip:** Set screw gun clutch to low setting when installing screws and bolts to prevent stripping the heads.

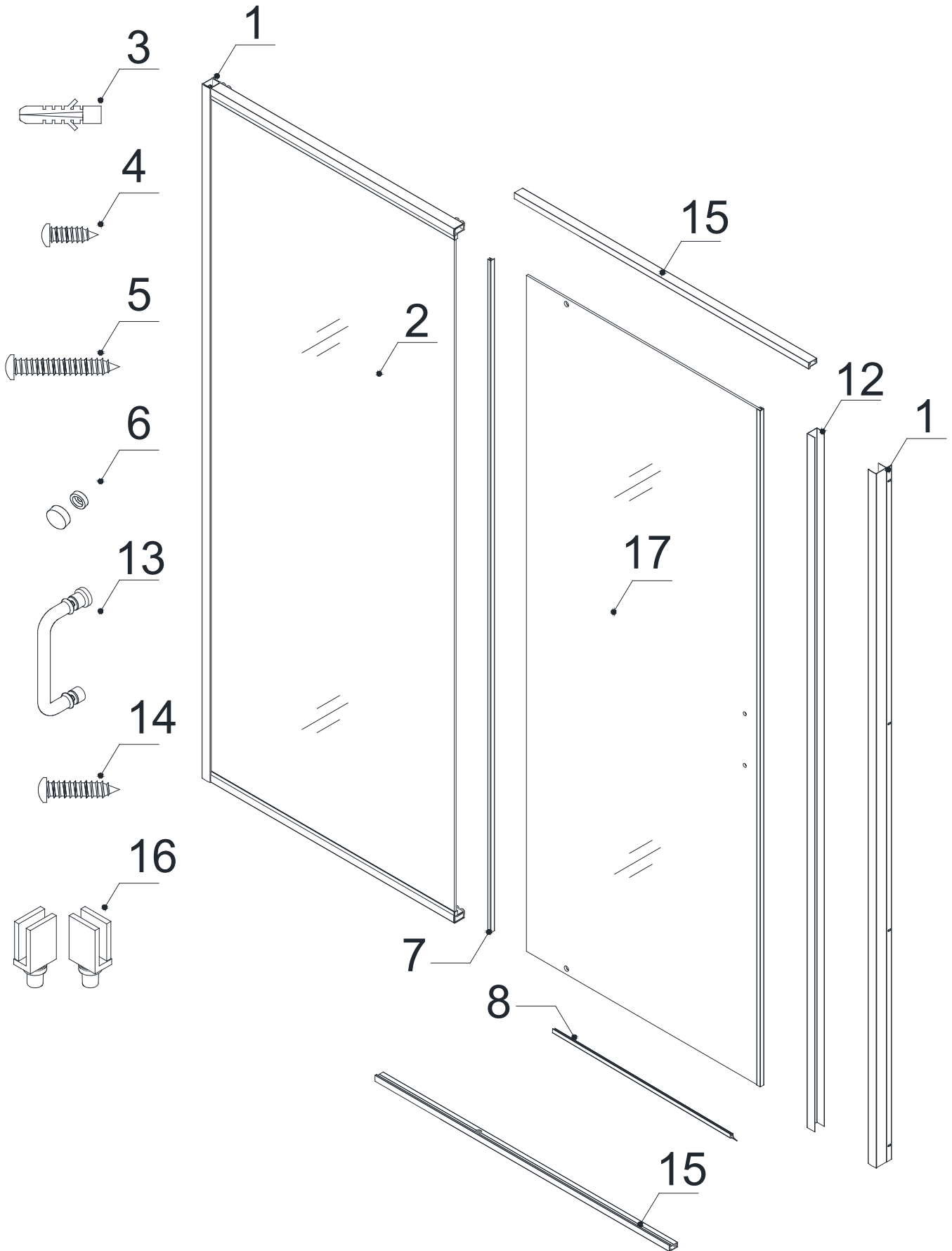


**NOTE:** Unpack your unit carefully and inspect it. Lay it out and identify all parts using the detailed diagram and packing list in this manual as a reference. Before discarding the carton, check for small hardware bags that may have fallen to the bottom of the box. If any parts are damaged or missing, please contact DreamLine® for replacement. The shipping boxes may contain extra parts not used in your model configuration.

**NOTE:** Retain these installation instructions for future reference.

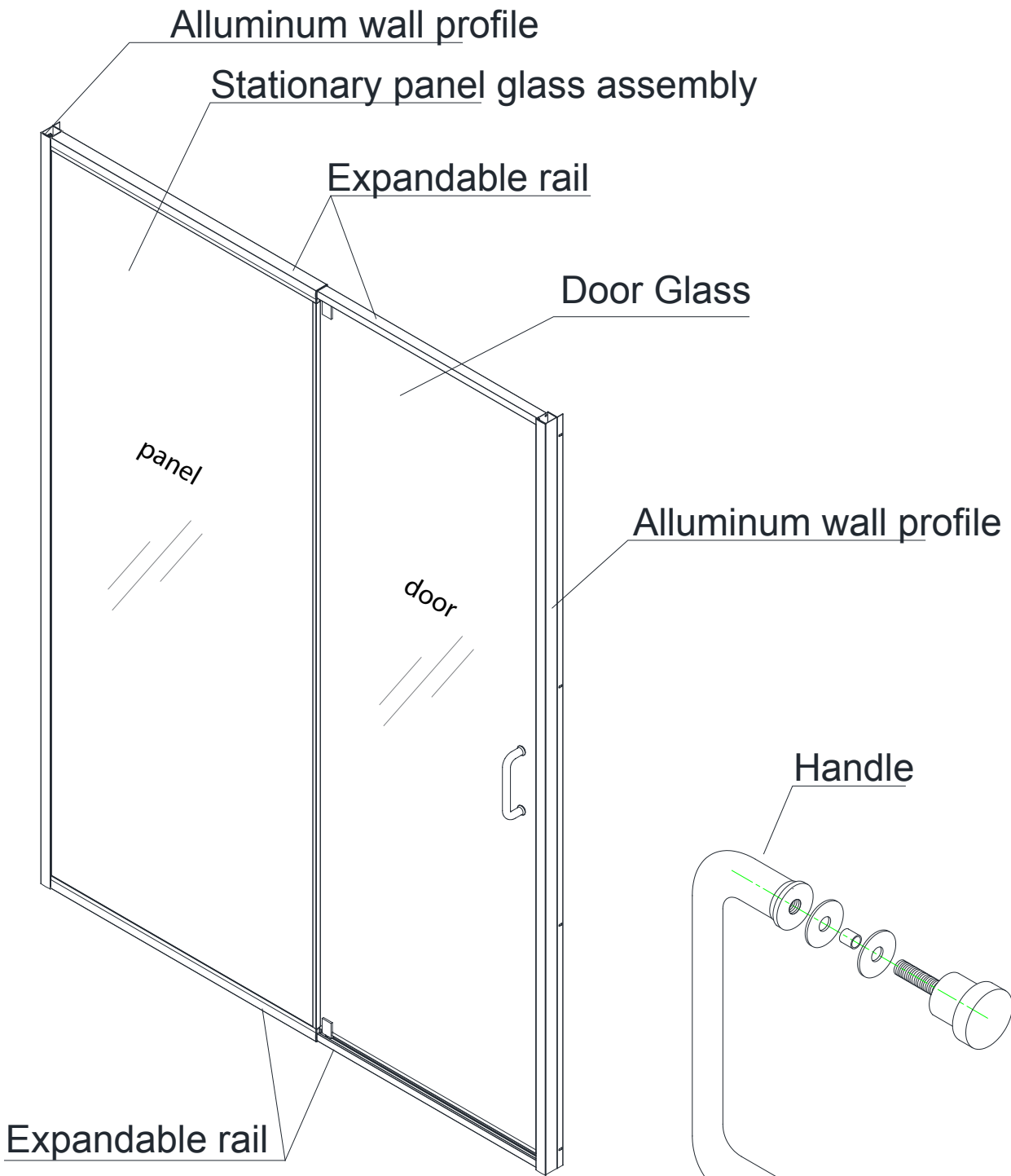


# Parts Diagram



## Parts List

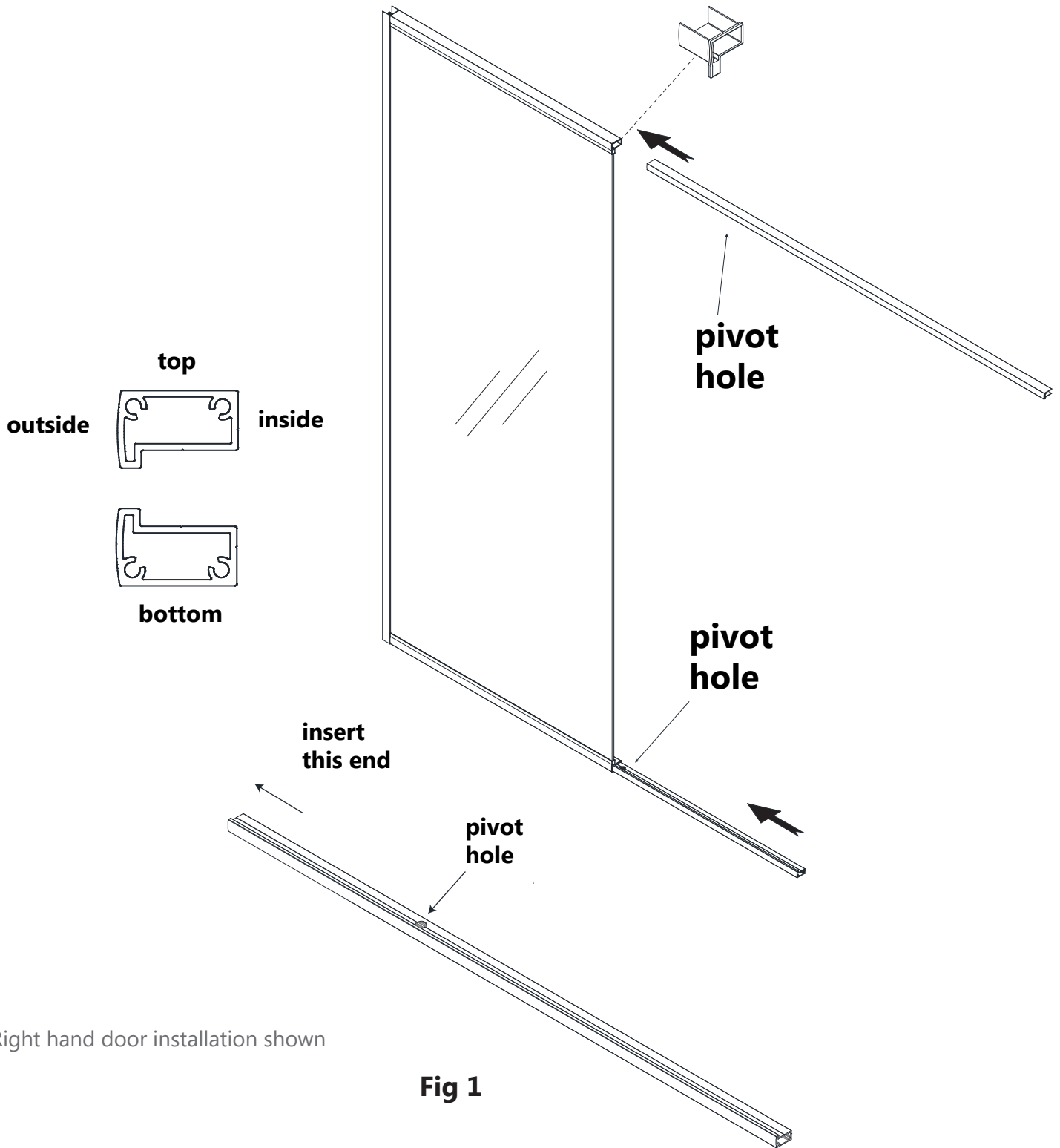
| # | Item                      | Qty  | #  | Item                      | Qty  |
|---|---------------------------|------|----|---------------------------|------|
| 1 | Wall profile              | 2PCS | 12 | Magnetic Strike Profile   | 1PC  |
| 2 | Panel Glass assenbly      | 1set | 13 | Handle                    | 1PC  |
| 3 | Wall anchor               | 8PCS | 14 | ST4.2×25 Round head screw | 4PCS |
| 4 | ST4.2×10 Round head screw | 8PCS | 15 | Top & Bottom pivot Rail   | 2PCS |
| 5 | ST4.2×40 Truss head screw | 8PCS | 16 | Top & Bottom pivot Hdwe   | 2PCS |
| 6 | Decorative cap and washer | 8PCS | 17 | Door Glass                | 1PC  |
| 7 | Flanged anti-water strip  | 2PCS |    |                           |      |
| 8 | Bottom anti-water strip   | 1PC  |    |                           |      |



Right hand door installation shown

# Installation steps

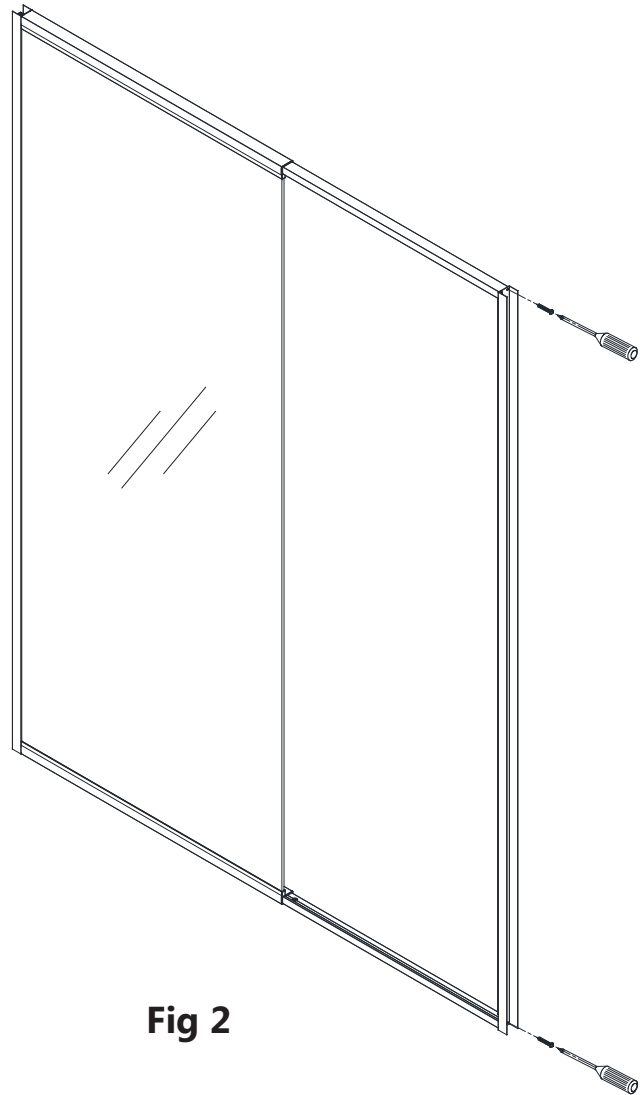
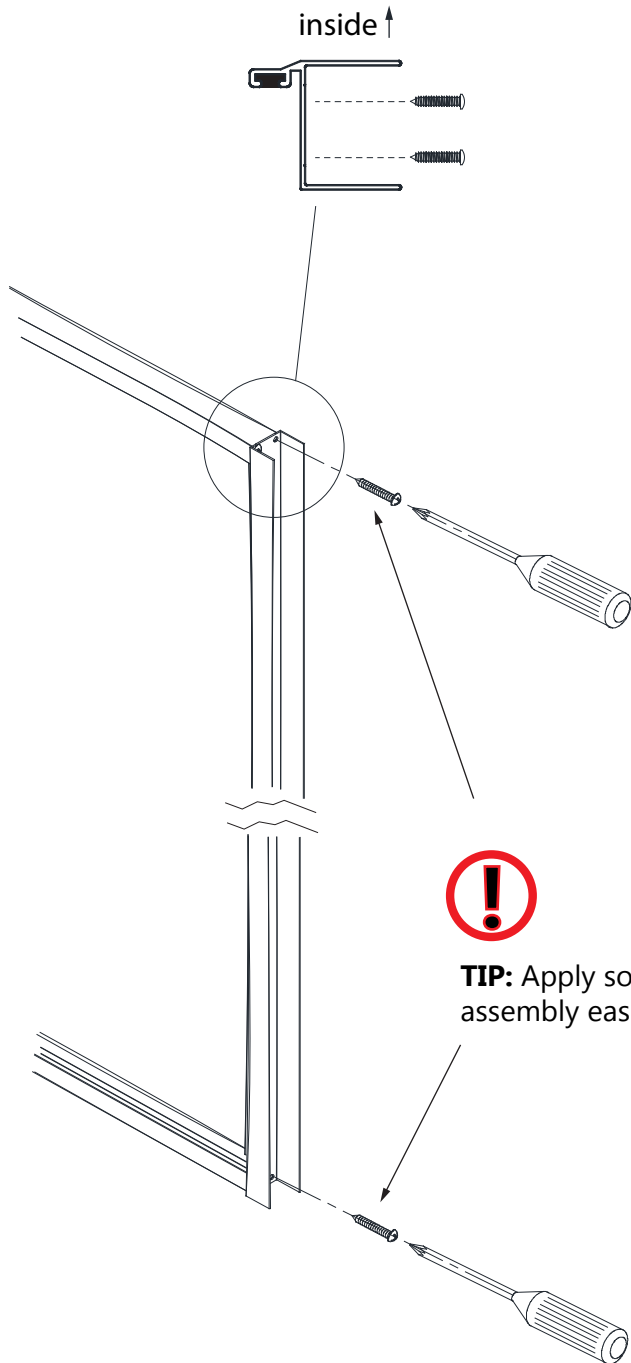
1. Insert the **Top & Bottom Pivot Rails (#15)** into the expandable rails of the **Stationary panel assembly (#02)**. Insert the end that is closest to the pivot hole. **(Fig 1)**



Right hand door installation shown

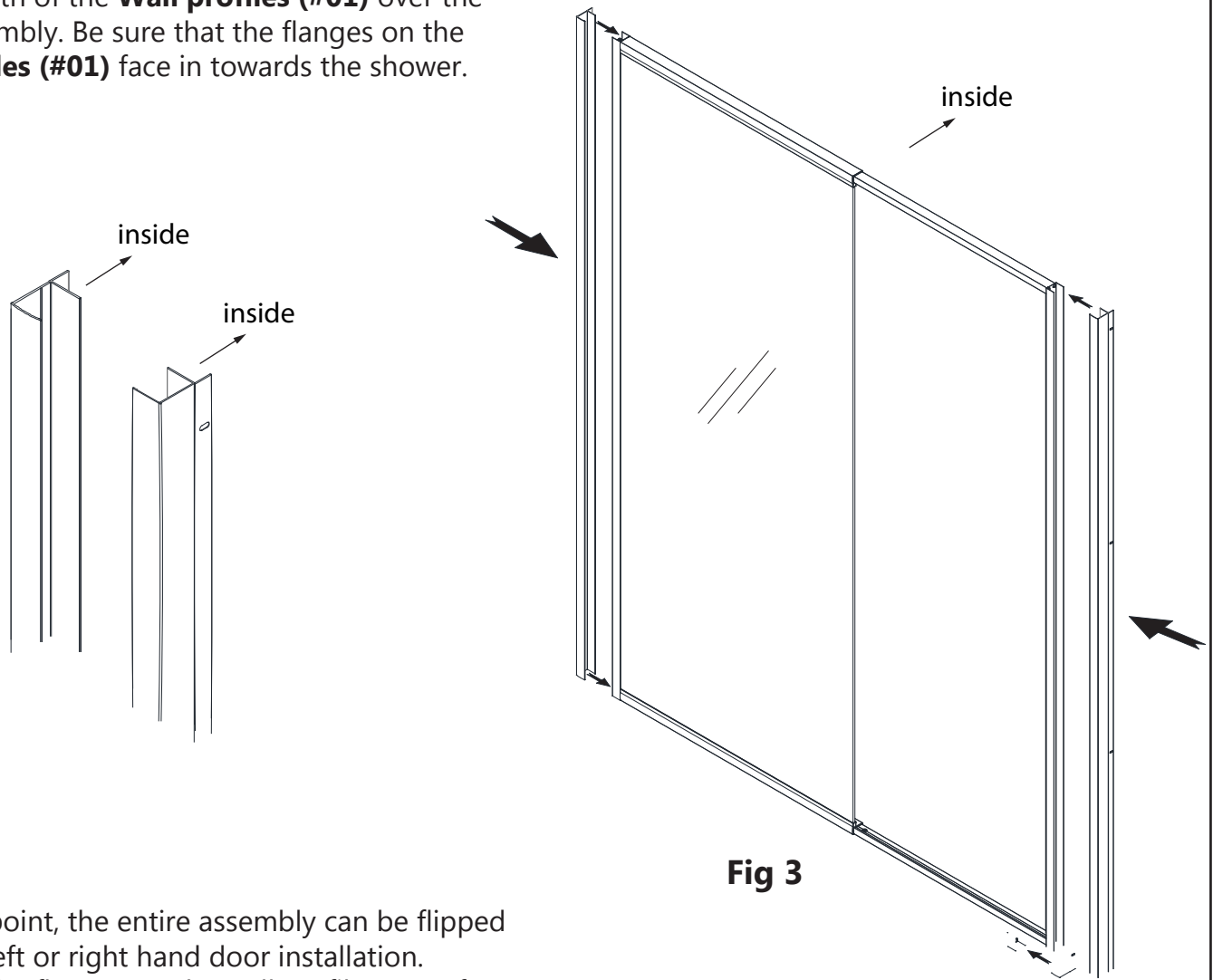
**Fig 1**

**2. Attach the Magnetic Strike profile (#12) to the Top & Bottom pivot rails (#15) using four of the ST4.2 x 25 Round head screws (#14). (Fig 2)**



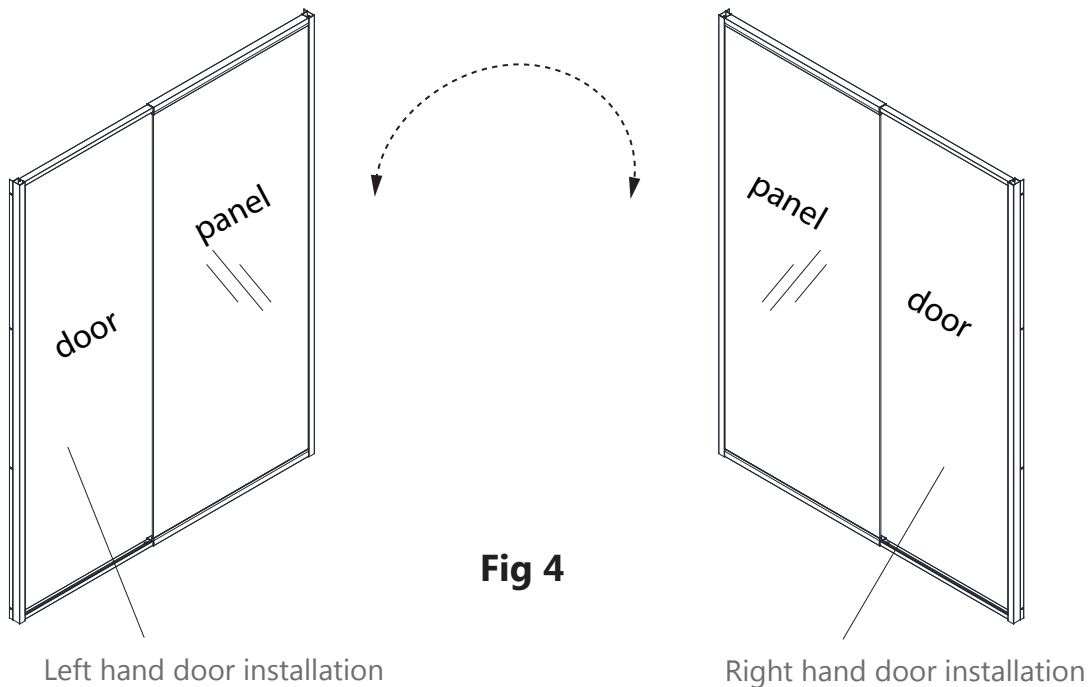
**TIP:** Apply some wax or dish soap to the screws to make assembly easier and to prevent stripping the screws.

**3.** Slide both of the **Wall profiles (#01)** over the frame assembly. Be sure that the flanges on the **Wall profiles (#01)** face in towards the shower. **(Fig 3)**



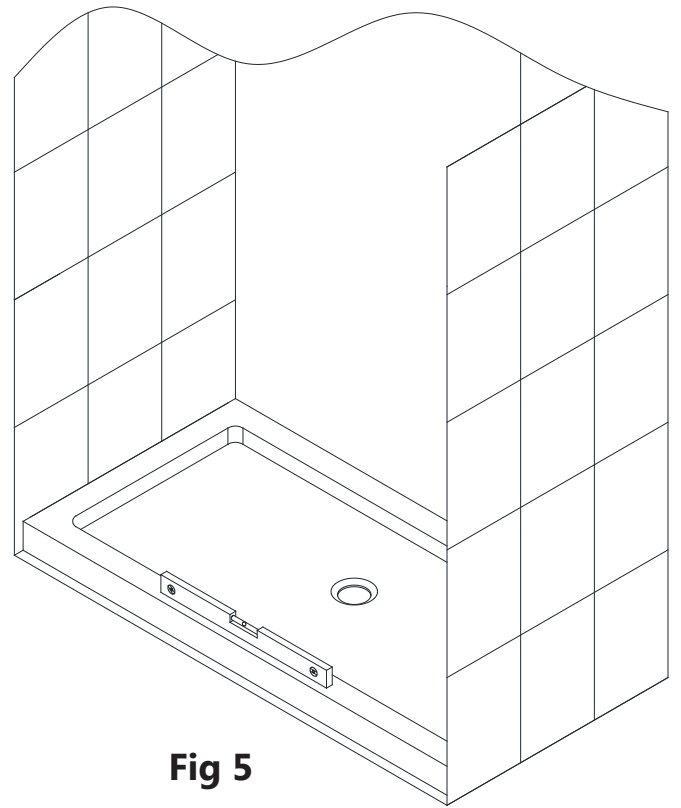
**Fig 3**

**4.** At this point, the entire assembly can be flipped for either left or right hand door installation. However, the flanges on the wall profiles must face into the shower. **(Fig 4)**



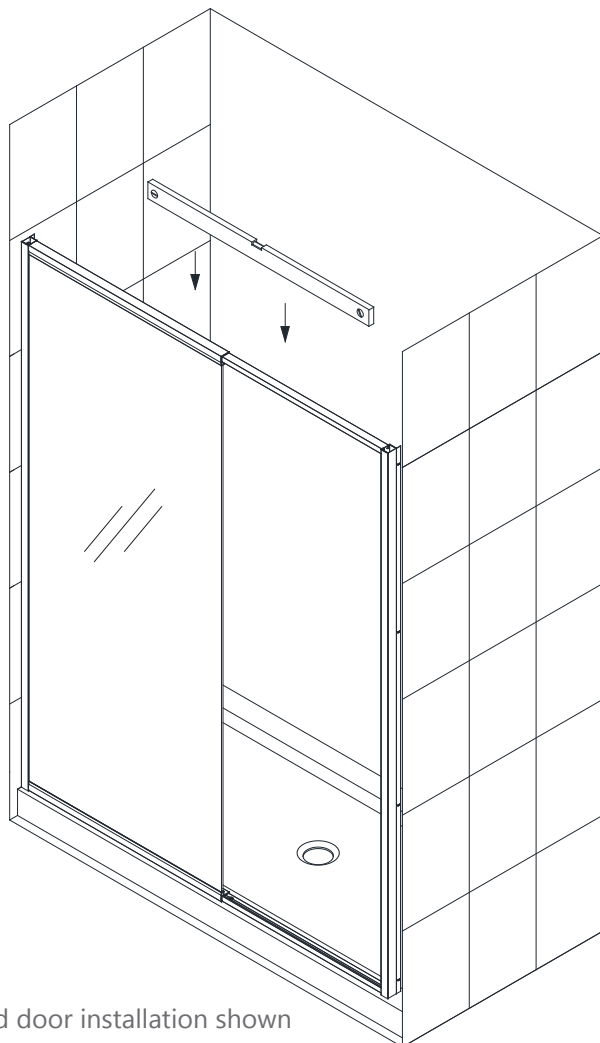
**Fig 4**

**5.** Check the threshold of the finished opening to make sure that it is level. (This model does not allow for out-of-level adjustment) **(Fig 5)**

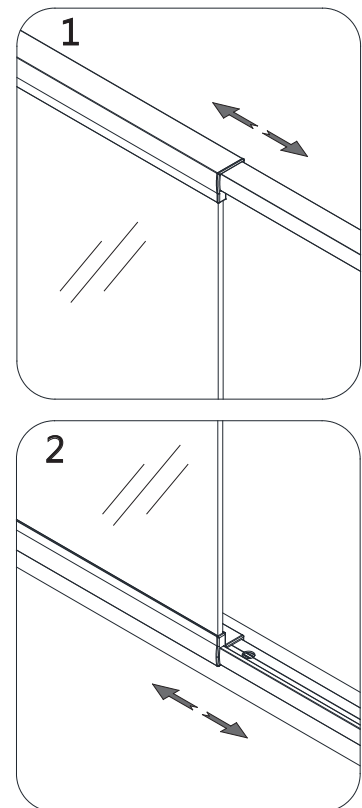


**Fig 5**

**6.** Place the assembly onto the threshold at the desired location and extend the expandable **Top & Bottom pivot rails (#15)** evenly. **(Fig 6)**

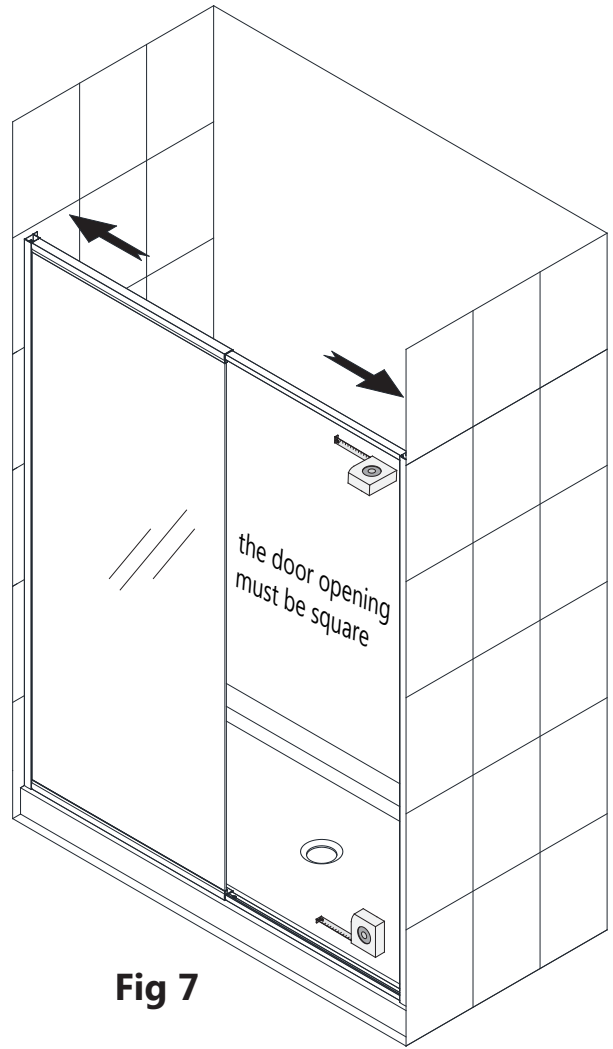


Right hand door installation shown



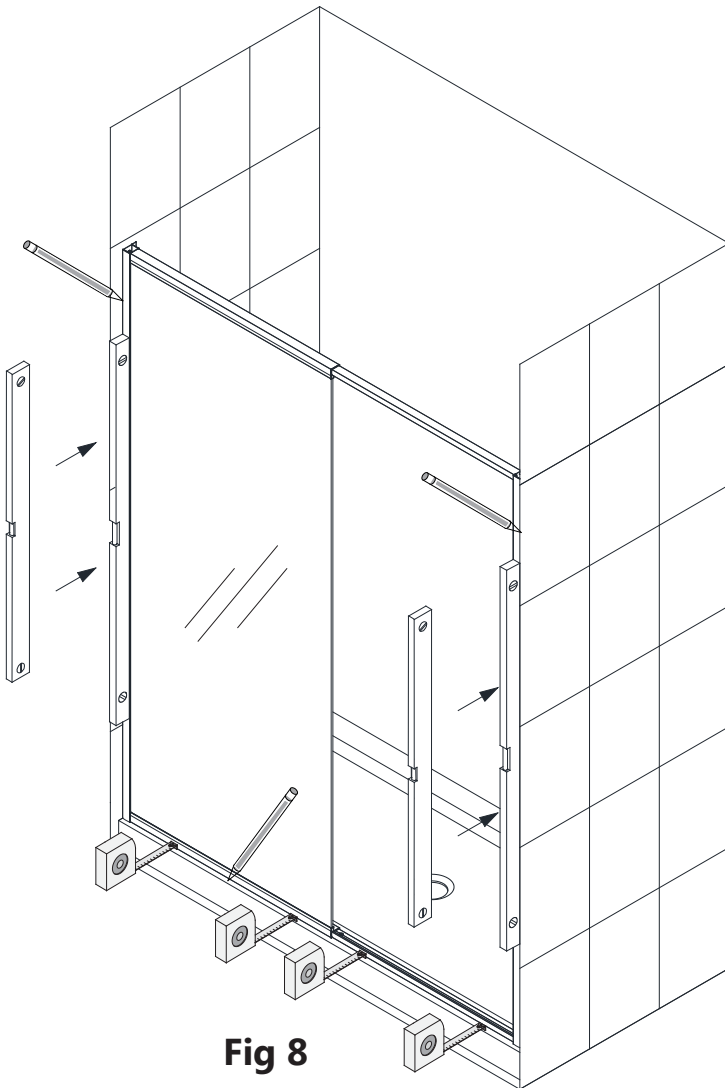
**Fig 6**

**7. The opening for the door glass must be square.** Measure the top and bottom of the door opening and adjust the **Expandable rails** as necessary. Push the **Wall profiles (#01)** tight to the walls to compensate for up to 1/2" out-of-plumb per wall. **(Fig 7)**

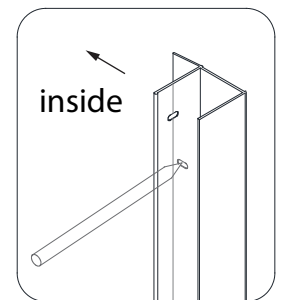
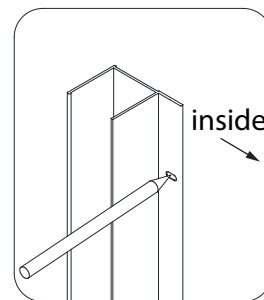


**Fig 7**

**8. Check that the frame assembly is plumb on the wall and even across the threshold.** Mark the position of the **Wall Profiles (#01)** on the wall and mark the holes for drilling through the pre-drilled holes in the wall profile flanges. Make sure that the **Wall Profiles (#01)** are tight to the threshold. **(Fig 8)**

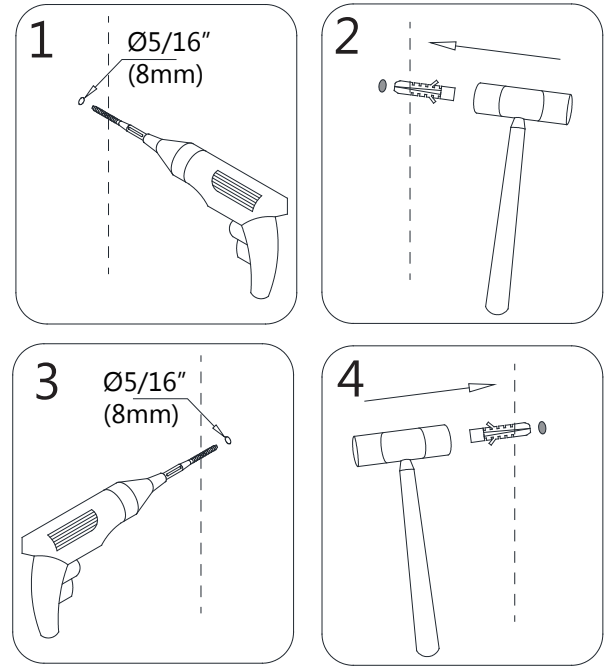


**Fig 8**



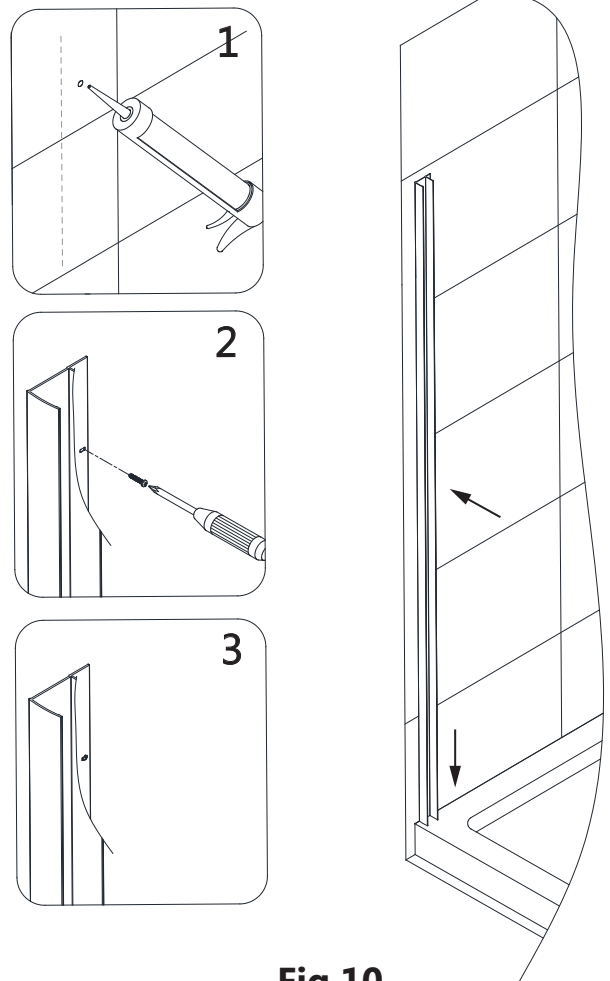
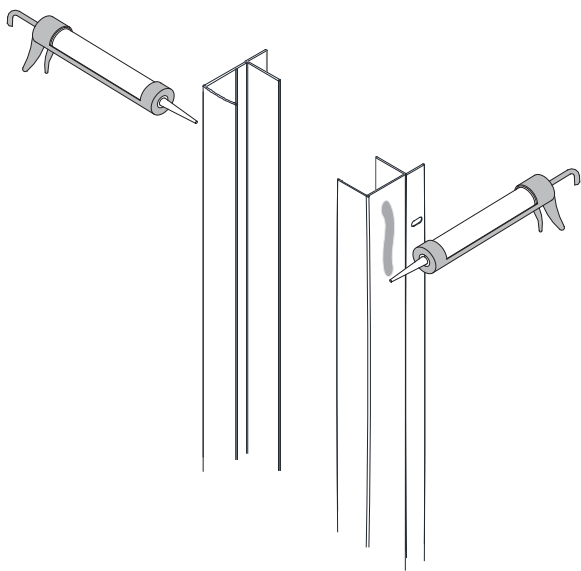


**9.** Move the frame assembly aside and remove the **Wall Profiles (#01)**.  
 Drill the holes into the walls using a **Ø5/16" (8mm)** drill bit and insert the **Wall anchors (#03)**. **(Fig 9)**



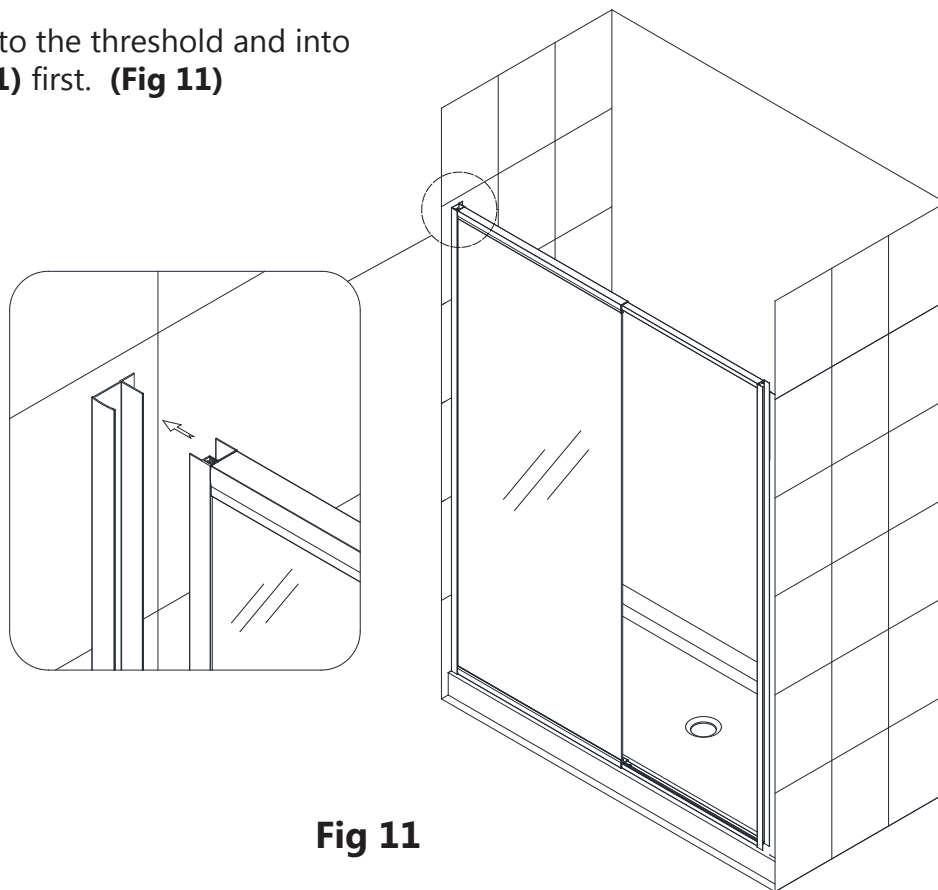
**Fig 9**

**10.** Apply a bead of silicone to the back of the **Wall profiles (#01)** and the screw holes where the **Wall profiles (#01)** will be installed. Attach the **Wall profiles (#01)** to the wall using the **ST4.2 x 40 Truss Head screws (#05)**. Repeat this process for the opposite wall profile. **(Fig 10)**



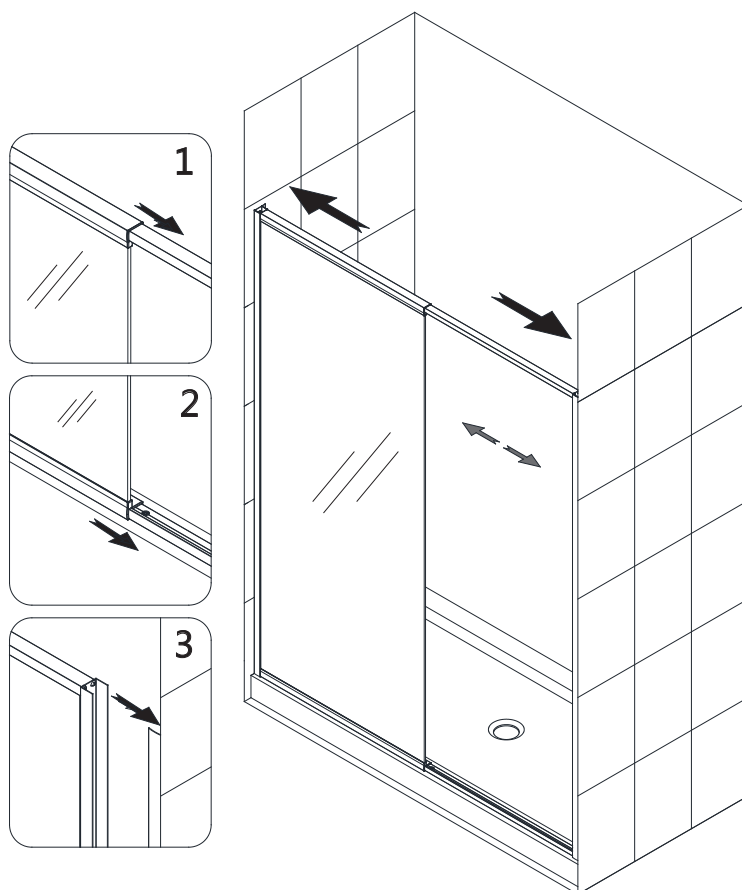
**Fig 10**

**11.** Place the assembly back onto the threshold and into the panel-side **Wall Profile (#01)** first. **(Fig 11)**



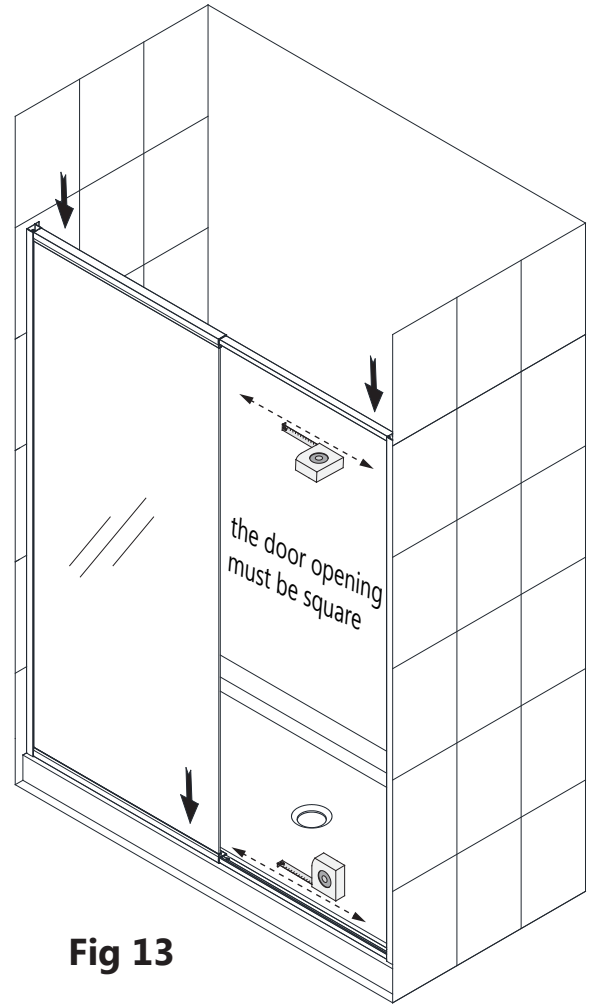
**Fig 11**

**12.** Extend the **Expandable Rails** evenly so that the **Magnetic Strike profile (#12)** goes into the opposite **Wall Profile (#01)** on the door-side of the opening. **(Fig 12)**

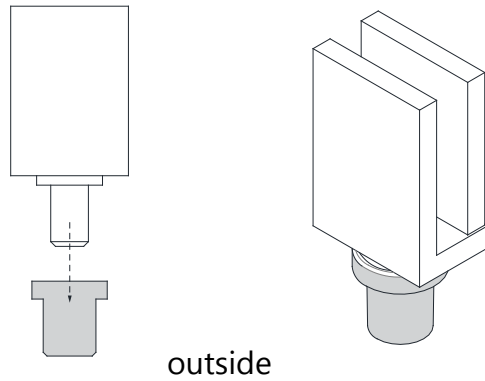


**Fig 12**

**13.** Check and adjust the door opening for square and make certain that the entire assembly is tight to the threshold. **(Fig 13)**



**Fig 13**



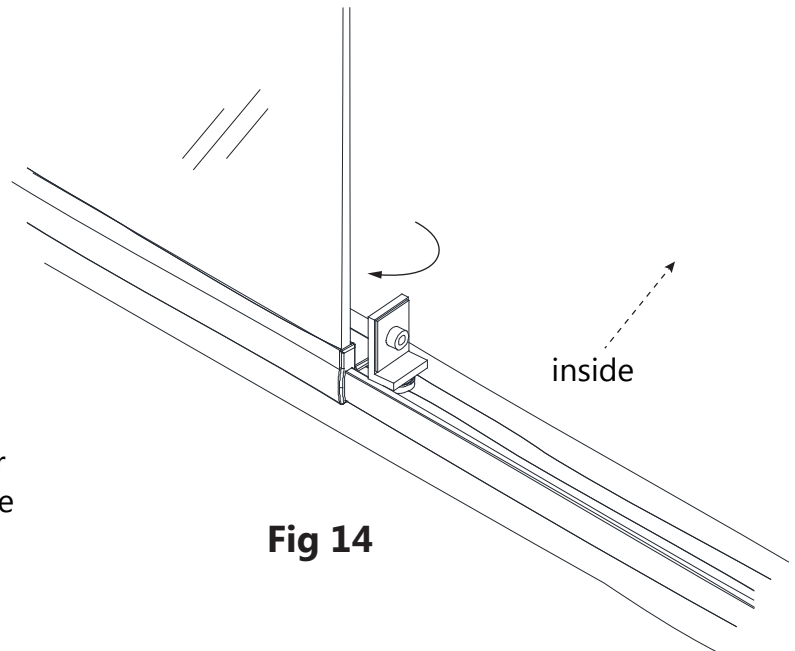
outside

**14.** Install the **Top & Bottom pivot hardware (#16)** into the pivot holes of the **Top & Bottom pivot rails (#15)**.

**Note:** The pivots are packaged as a pair. Install the pivots so that the door will swing out. (bolts face inside the shower) **(Fig 14)**

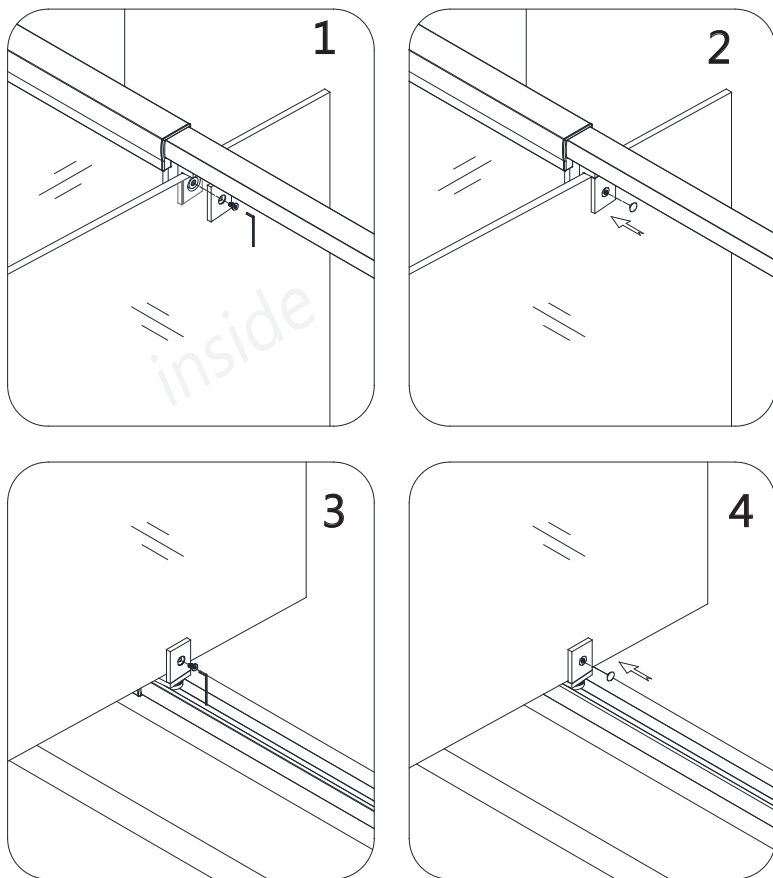


**NOTE:** DO NOT install the handle onto the door glass until instructed. DO NOT attempt to lift the glass using the handle. This could result in damage to the glass and/or serious personal injury. Always use an assistant or a professional grade glass suction cup when handling heavy glass.



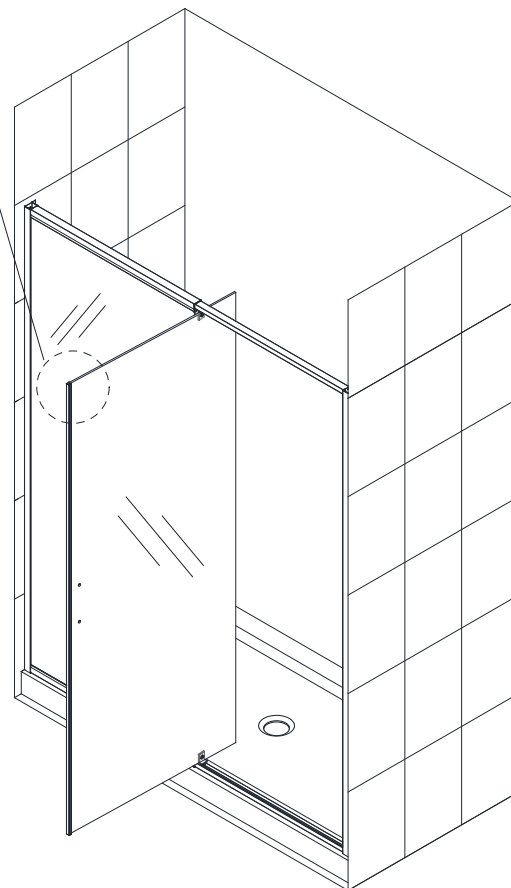
**Fig 14**

**15.** Carefully install the **Door Glass (#17)** onto the **Top & Bottom Pivot hardware (#16)**. Make certain that all gaskets are in place to protect the glass. Cover the bolt with the decorative cap. **(Fig 15)**



**Fig 15**

**Note:** Make sure that the magnet edge of the door glass faces into the shower.

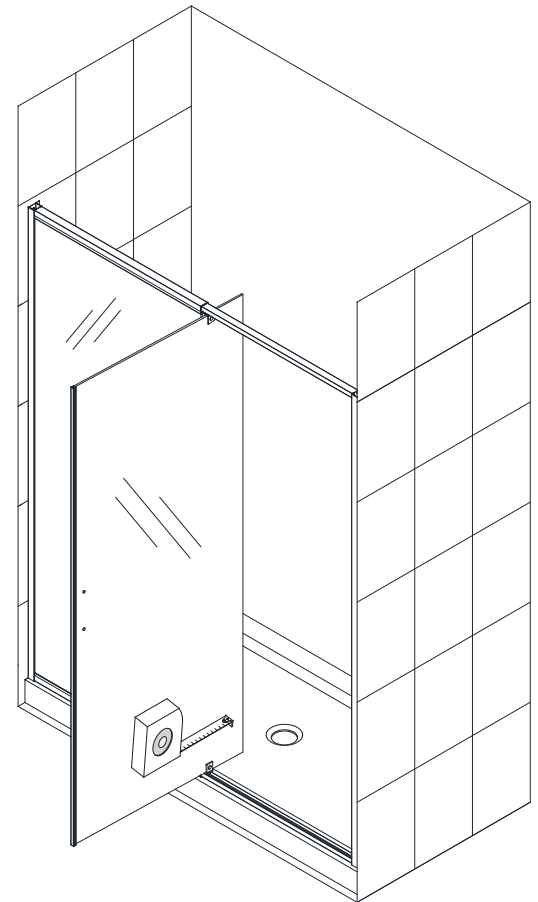
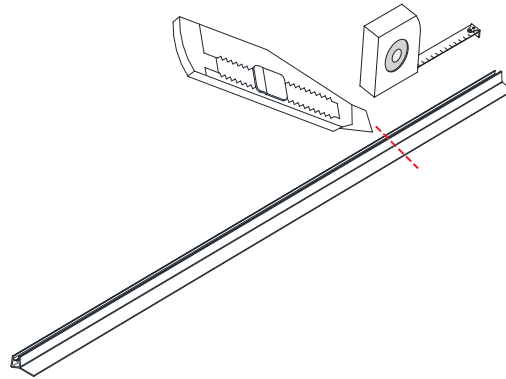


Right hand door installation shown

**16.** Trim the **Bottom anti-water strip (#08)** to fit on both sides of the pivot and attach both pieces to the bottom of the door glass.

Measure from the hinge side of the **Door Glass (#17)** to the bottom pivot. Trim a piece off of the **Bottom anti-water strip (#08)** and attach it to the bottom of the **Door Glass (#17)**.

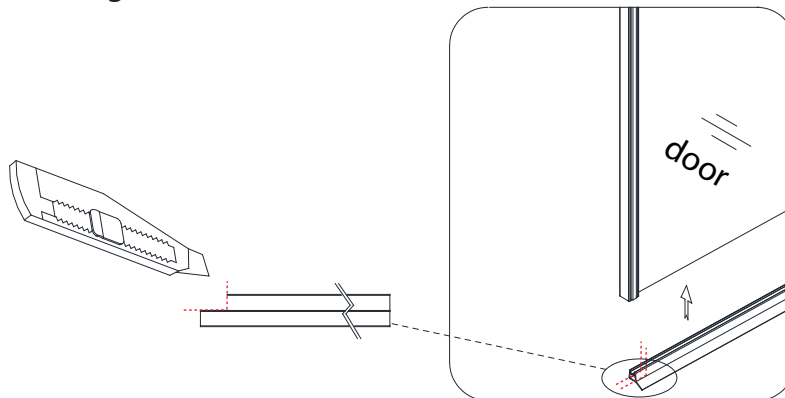
**(Fig 16)**



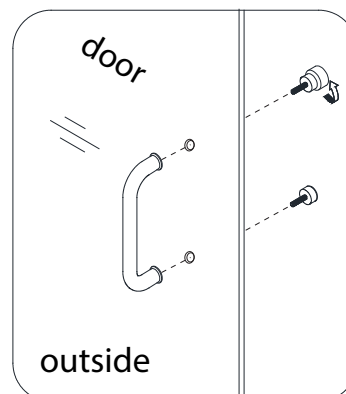
**Fig 16**



**NOTE:** Measure to the edge of the door and notch the **Bottom anti-water strip (#08)** with a razor knife to fit around the magnet strip, leaving the bottom deflector intact.



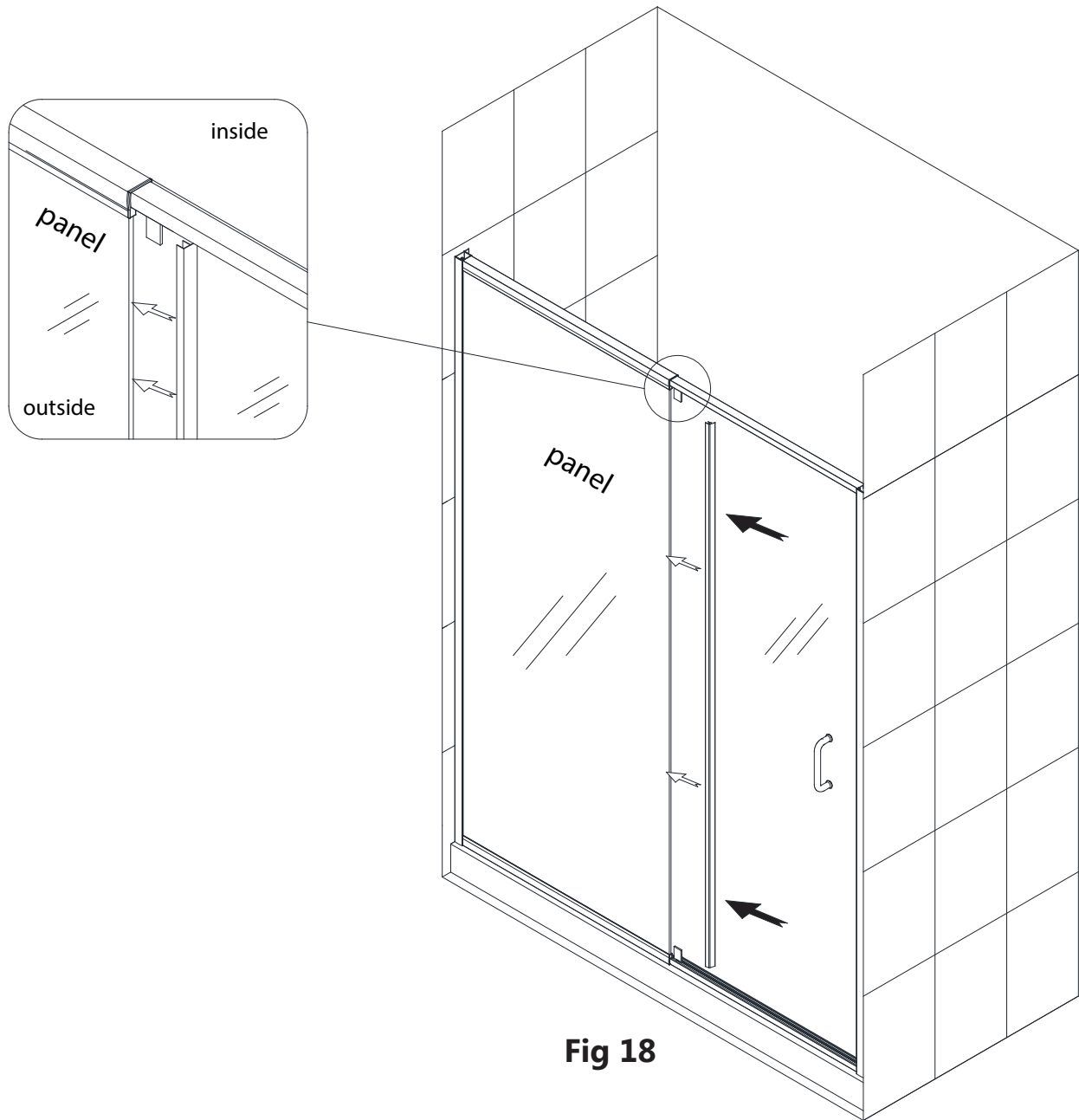
**17.** Attach the **Handle (#13)** to the door glass. **(Fig 17)**



**Fig 17**

Right hand door installation shown

**18.** Attach the **Flanged Anti-water strip (#07)** to the vertical edge of the **Stationary panel glass (#02)** with the flange facing into the shower. **(Fig 18)**



**Fig 18**

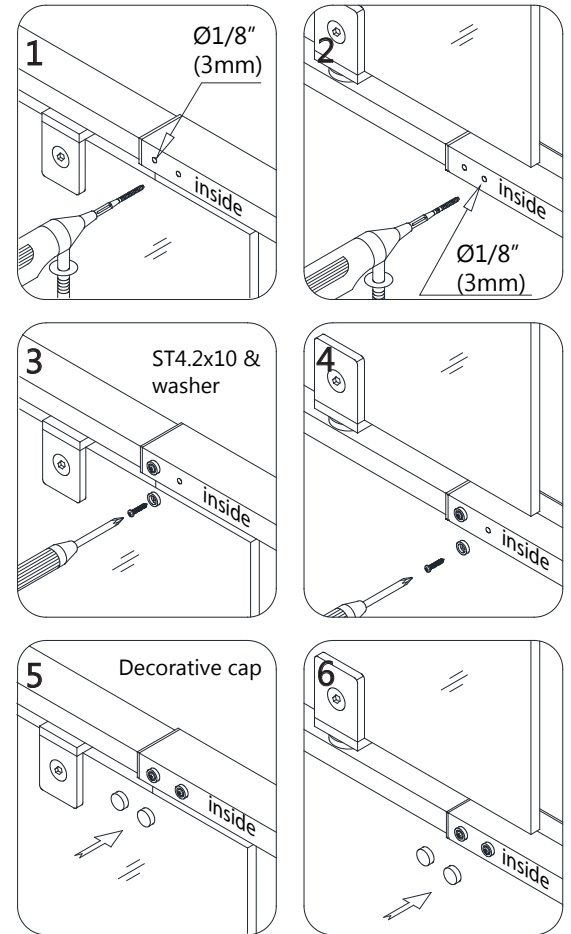
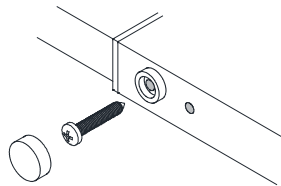
Right hand door installation shown

**21.** Once all adjustments have been made, drill pilot holes from inside of the shower into the **Top & Bottom Pivot Rails (#15)** through the predrilled holes using an **Ø1/8" drill bit**.

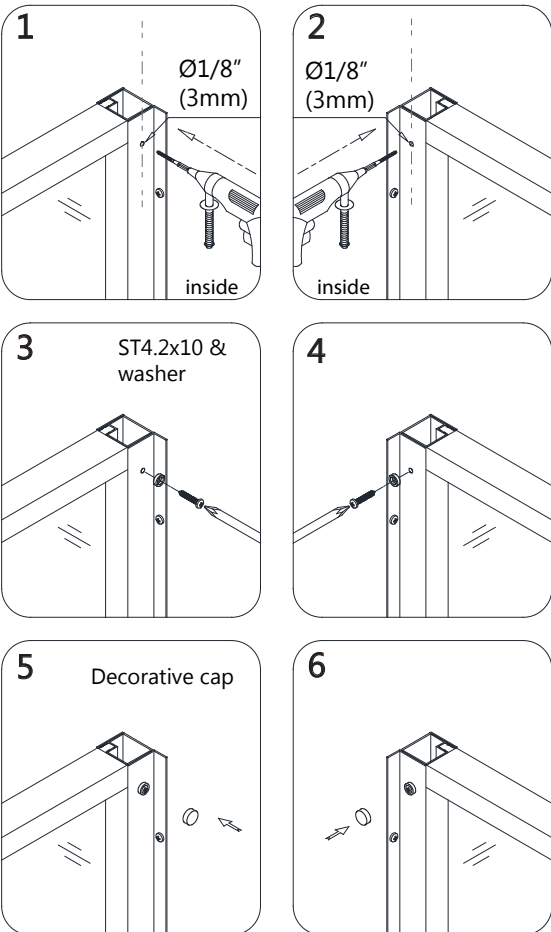
**Note:**

Do not drill the rails throughout, only through the first layer.

Secure the Expanding rails using the **Round head screws ST4.2x10 (#04)** and the raised white **washers**. Cover the exposed screw heads and washers with the **Decorative caps (#06)**. (Fig 21)



**Fig 21**



**Fig 22**

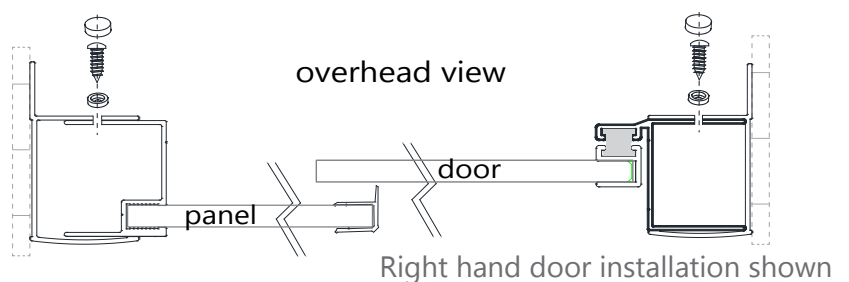
**22.** Make any final adjustments to the Door assembly within the **Wall profiles (#01)**. Make sure that the entire assembly sits tight down onto the threshold.

From inside the shower, drill holes into the **Wall profiles (#01)** near the center at the top and bottom of the profile using an **Ø 1/8" drill bit**. (Fig 22.1 and 22.2)

**Note:** Do not drill the profiles throughout, only through the first layer.

Secure the Door assembly to the **Wall profiles (#01)** using the **Round head screws ST4.2x10 (#04)** and the raised white **washers**.

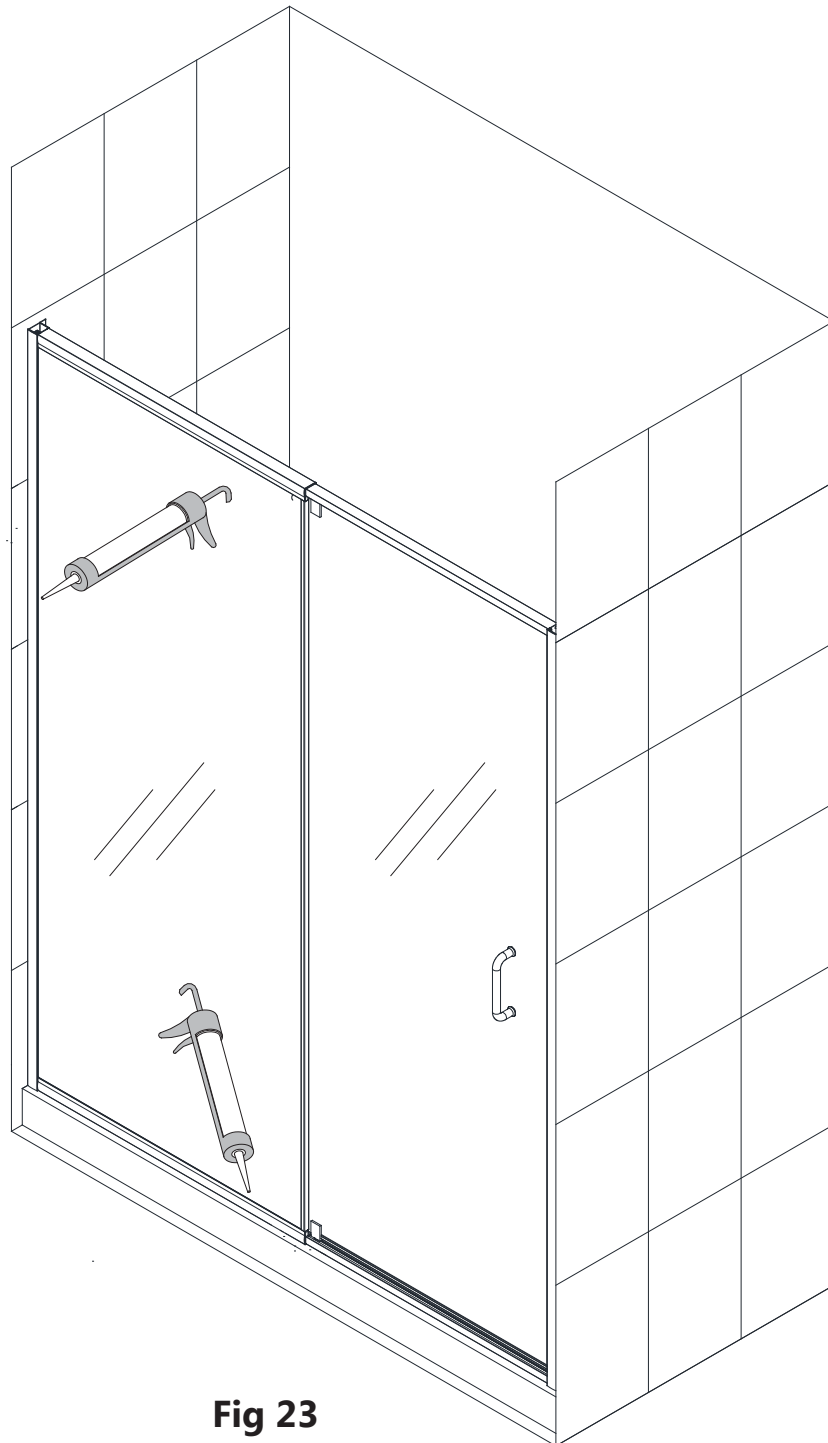
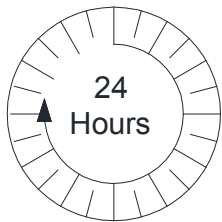
Cover the exposed screw heads and washers with the **Decorative caps (#06)**. Repeat this step on the strike side wall profile as well. (Fig 22)



**23.** Apply a good quality mildew-resistant silicone around the interior perimeter along both walls and the threshold. **(Fig 23)**



**Allow 24 hours for the silicone to cure before using the shower.**



**Fig 23**

Right hand door installation shown



## Product Maintenance

**BASES and BACKWALLS:** To ensure long-lasting life for your acrylic back walls, wipe them off after each use with a soft cloth. To clean the acrylic back walls use non-abrasive sprays or cream based cleaners. Avoid the use of aerosol spray cleaners. Never use abrasive cleansers, metal brushes or scrapers that could scratch or dull the surface.

**GLASS:** To ensure long-lasting life for your glass shower products, wipe them off after each use with a soft cloth. Rinse and wipe off the glass using either a soft cloth or a squeegee to prevent soap buildup and water spots (Hard water can etch the surface of the glass over time if left to dry). To prevent scratching the surface: never use abrasive cleaners or cleaning products that contain scouring agents. Never use bristle brushes or abrasive sponges that may scratch the surface.

**HARDWARE:** To ensure a long-lasting finish, wipe off the metal parts after each use with a soft cloth. Do not use abrasive cleaners or cleaning products containing ammonia, bleach or acid. If accidentally used, rinse the surface as soon as possible to prevent damage to the finish (peeling or corrosion). After cleaning the polished finishes, rinse thoroughly and wipe dry with soft cloth. Clean stainless steel surfaces at least once a week. When applying stainless steel cleaner or polish to stainless steel hardware, work with (not across) the grain. Never use an abrasive sponge or cloth, steel wool or wired brush as these may permanently scratch the surfaces.

**NOTE: To maximize the life of your door, it is important to regularly inspect the glass and all hardware for misalignment, proper attachment, and/or damage. Contact DreamLine® with any questions or concerns.**

**DreamLine® shower doors and enclosures are designed not to leak when installed properly and the flow of water is not pointed directly at the pivots or vinyl seals.**



TEL: 866-731-2244  
FAX: 866-857-3638  
DREAMLINE.COM

For more information on DreamLine<sup>®</sup> Shower Doors and Enclosures please visit **DreamLine.com**