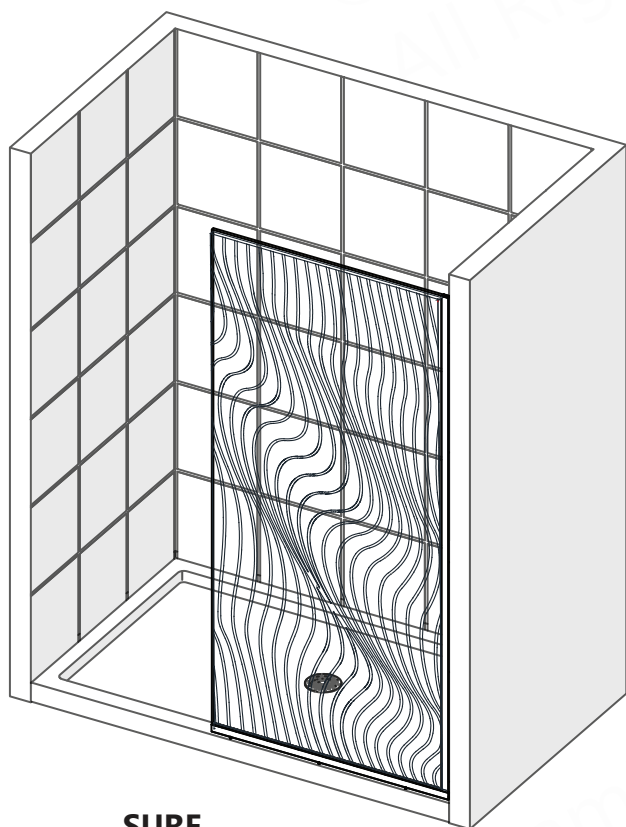


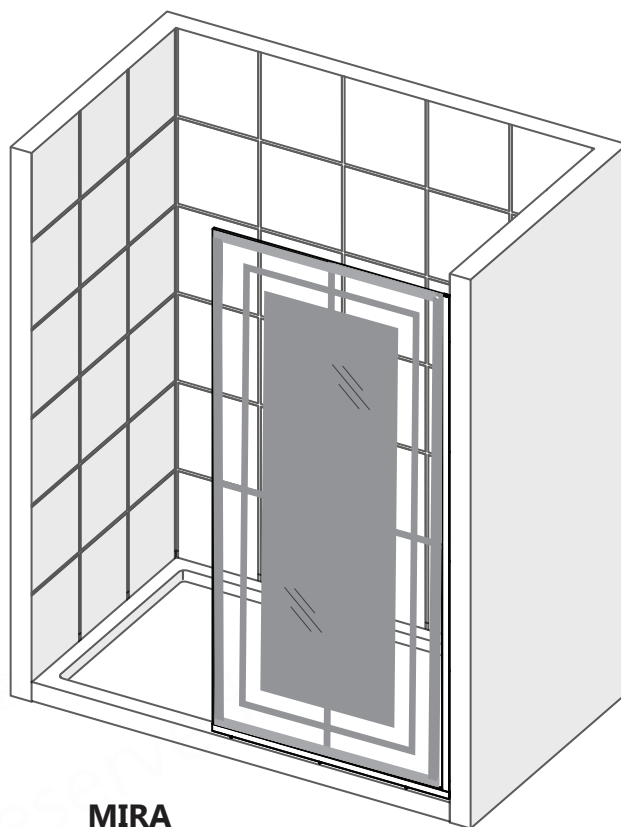


PLATINUM LINEA with MirrorMax™ SHOWER PANEL INSTALLATION INSTRUCTIONS

PLEASE REVIEW THIS ENTIRE MANUAL PRIOR TO INSTALLATION



SURF
D3234721M11-08



MIRA
D3234721M12-08

right wall installation shown

IMPORTANT!

DreamLine® reserves the right to alter, modify or redesign products at any time without prior notice for the purpose of product improvement and customer experience. Please refer to the model's web page on **DreamLine.com** for the latest technical drawings, installation manuals, warranty information or additional product details.

Do Not Return Product to the Store. Contact DreamLine® with any questions



Questions?

Please Call **DreamLine Customer Support: 1-866-731-2244**
Hours of Operation M-F 8AM - 6PM EST

Support@DreamLine.com





This model is treated with DreamLine’s exclusive ClearMax™ Glass technology. This is a specially formulated coating that prevents the build up of soap and water spots.

Install the surface with the ClearMax™ label towards the inside of the shower. Please note that depending on the model, the glass may be coated on either one or both surfaces.

For best results, squeegee the glass after each use and dry with a soft cloth.

Record the following purchase information for your records or in the event you need to contact DreamLine®:

Purchase Order Number _____

Store/Vendor Purchased From _____

Installation Date _____

OD Number (optional) _____
located on the shipping box or label if available.



Installed By: _____



SKU Number _____



Table of Contents

Section Title	Page #
ClearMax [®] Coating Information	—
Warnings and General Preparation	2
Model Specific Preparation	3
Tools	4
Detailed Diagram of Shower Panel Components	5
Parts List	6
Model Diagram	7
Installation Steps	8-26
180° Strike Vinyl Installation	15, 16
Reversible L-Bar™ Installation	22-25
Reversible L-Bar™ Feature	27-28
Product Maintenance	29
Troubleshooting	30
Factory Parts Information	31-32

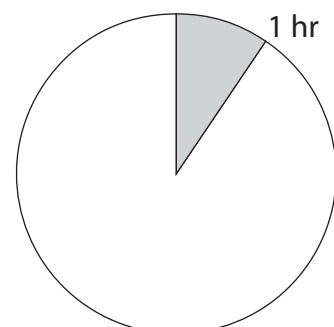
Symbol Legend


TIP - for ease of installation.
 
CORRECT - recommended.


NOTE - take note of special feature; additional information.
 
INCORRECT - not recommended.


REQUIRED - requires special attention; signifies a warning.
 
INLINE PANEL MODEL ONLY - denotes special instruction for the inline panel installation only.

Average Installation Time





IMPORTANT

- DreamLine® reserves the right to alter, modify or redesign products any time without prior notice for product improvement and customer experience. Please refer to the model's web page on DreamLine.com for the latest technical drawings, installation manuals, warranty information or additional product details.
- This product should be installed by someone familiar with the construction requirements for this type of project and the care necessary for the safe installation and operation of the product.
- The safety of any installation is the responsibility of the installer.
- Professional installation recommended. *(All Models)*
- Professional installation required. *(Enigma Series)*
- To prevent damage or serious injury, Do Not lean against the installed panel/door/glass.
- To prevent damage or serious injury: Do Not attempt to lift or move a heavy lite of glass alone. Use an assistant and/or a professional grade glass suction cup.
- The installation of some models may require drilling down into the threshold. Contact the manufacturer of the base, tub, or threshold material with any questions regarding the drilling of holes into their product.
- All drawings in this installation manual are for illustrative purposes only and are not drawn to scale.

TEMPERED GLASS WARNING

- Your Shower Door Glass Could Shatter Without Warning if Improperly Installed or Mishandled
- Do Not install or operate a shower door if the glass has chipped corners, slivered edges or is otherwise damaged and/or has been dropped or banged into a hard surface such as tile, marble or glass.
- **The main causes of tempered glass breakage are:**
 - Improper handling, storage or installation
 - Misuse/abuse
 - Lack of maintenance
 - Failure to replace damaged glass
 - **Improper handling during storage, unpacking and installation:**
 - Corners and edges are the most susceptible area to damage on a lite of tempered glass and should be protected and handled with care during storage, unpacking, installation and operation. A concentrated point of pressure or impact with a surface harder than itself may cause the tempered glass to shatter. The tempered glass may release immediately, within several hours or even days later.
 - **Incorrect installation of door hardware, rollers, hinges, channels, stopper or glass:**
 - Improper installation may include: loose hardware and/or lack of proper gaskets between the hardware and glass. Additionally, improper alignment of guide rails, wall profiles or other hardware during installation or operation may place stress on the glass edges and cause it to break.
 - This product must be installed by a professional and experienced installer familiar with the safe handling of tempered glass.
 - **Improper use of this product:**
 - Aggressively opening or closing the door may cause trauma to the glass, which can lead to breakage. This may occur immediately or hours or even days later.
 - **The shower door hardware and glass should be inspected periodically:**
 - Instruct the homeowner how to perform a periodic inspection of the shower hardware and glass - some minor adjustments may be necessary based upon the use (or misuse) of the shower door. Ensure that the hardware remains tight and that the door alignment and operation are correct. Any adjustments should be made upon discovery to prevent damage to the product.
 - Additional considerations should be given to the installation of frameless tempered glass products in households with young children or an elderly person due to an increased chance of improper handling. In such cases, alternatives such as shower curtains or grab bars should be considered.

GENERAL PREPARATION

- After opening all boxes and packages, read this introduction carefully. Check that all the items are included in the package by marking off the components on the **“Detailed Diagram of Product Components”** page. Examine all boxes and packages for shipping damage. If the unit has been damaged, has a finishing defect, or is missing parts; please contact our Customer Support department within 3 business days of the delivery date. **Please note that DreamLine® will not replace any damaged products or missing parts free of charge after 3 business days or if the product has been installed.** Please contact DreamLine® if you have any questions.
- **Please note that you should refer to your local building codes with questions on installation compliance standards. Building and plumbing codes may vary by location, and DreamLine® is not responsible for code compliance standards for your project and will not accept any returns.**
- If this unit is going to be installed in a new construction, install all the required plumbing and drainage before installing the shower. **Use a competent and licensed (if required by local code) plumber for all plumbing installation.**
- Make sure that prior to beginning the installation, the surfaces are leveled and solid and will be able to support the total weight of the unit. Also make sure the walls are at right angles. Irregular installation surface level, radius corners or improper angle of side walls will result in serious problems for your installation. Please note that some adjustments and drilling will be necessary during the installation process.
- Protect all primary surfaces of the product during installation. Never set your glass down directly onto a tile floor. Leave corner protectors in place until it is necessary to remove them. Always use a piece of wood or cardboard to protect the bottom edge and corners of the glass prior to and during installation.
- This unit must be installed upon a finished threshold and against finished walls.
- *DreamLine® shower doors are not designed to be installed into a fiberglass surround due to the radius corners and lack of a solid surface to mount the hardware.*

WARNING: TO AVOID THE RISK OF DAMAGE OR INJURY:

- **Follow all recommendations and requirements as shown in the installation instructions.**
- Perform a thorough inspection of the glass and all parts for any damage prior to installation. Any damage to tempered glass can cause breakage. **Do Not install damaged glass!**
- Do Not install or operate a shower or tub door if the glass has chipped corners, slivered edges or is otherwise damaged. Do Not install or operate a shower or tub door that has been dropped or banged into a hard surface such as tile, marble or glass.
- **CAUTION:** Contact with any hard surface can damage tempered glass and cause it to shatter.
- This product uses tempered glass. Glass cannot be cut after it has been tempered. **Do Not attempt to cut tempered glass.**
- DreamLine® Glass Shower doors, Tub doors, Inline panels, and Return panels can shatter due to improper handling or lack of maintenance. Conduct periodic inspections of glass and all parts for possible damage, missing or loose parts.
- Always wear proper safety equipment such as: safety goggles, work gloves and appropriate footwear during the installation process.
- **WARNING. Risk of leakage and/or damage.** Follow all instructions regarding the application of silicone sealant or caulk. Allow 24 hours for the sealant to cure before the initial use of the shower or tub product. Follow the silicone manufacturer's recommendations regarding the use of their product.
- **Thoroughly read these instructions before installing or using this product.**
- **Leave this manual for the end-user of the product.**



This product should be installed by someone familiar with the construction requirements for this type of project and the care necessary for the safe installation and operation of the product.



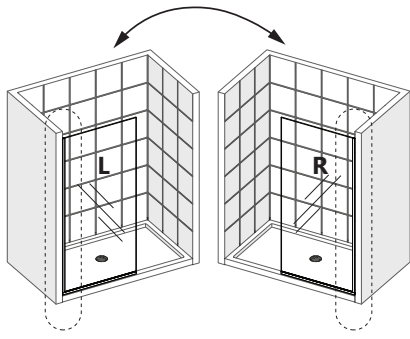
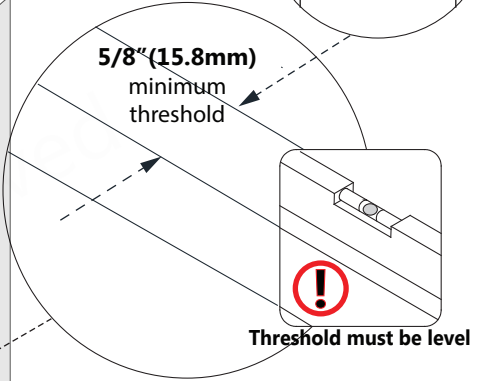
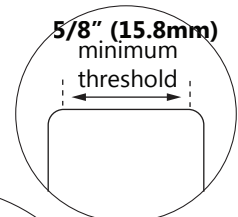
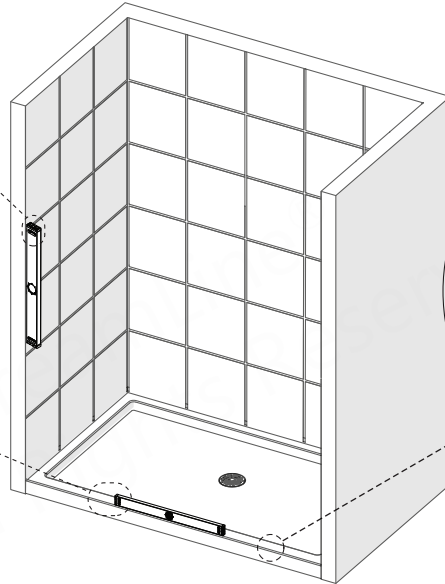
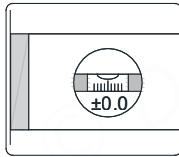
Model Specific Preparation



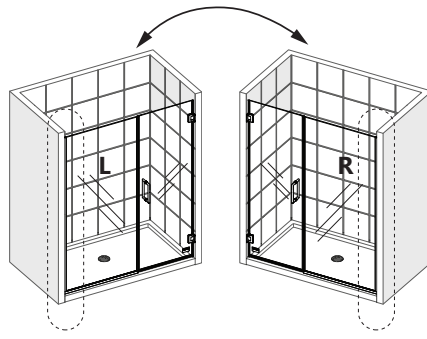
REQUIRED:

**1/4" (6 mm)
Out-of-Plumb
Adjustment on the
Vertical U-Channel
Only; Verify
threshold and walls
with a level**

**Threshold must be
level**



single panel installation



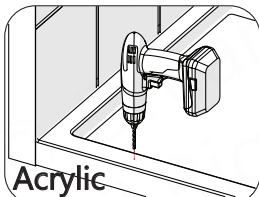
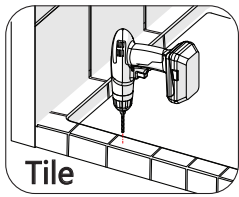
inline panel installation

right-hand orientation shown

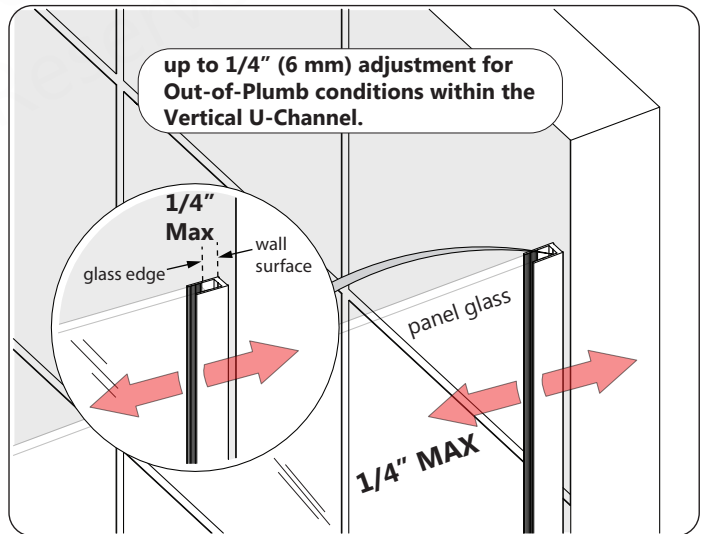
This manual will describe the Inline Panel installation using the Reversible L-Bar™ in the right-handed orientation (as shown above). To reverse the L-Bar™ orientation please refer to pages 27-28.



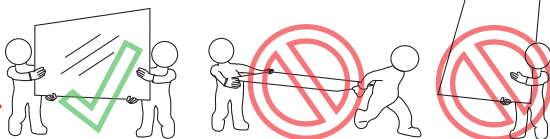
This model is reversible for right or left-hand panel installation. The right-hand panel installation is shown as an example throughout this manual. For the left-hand panel installation, simply begin on the opposite wall and reverse the orientation of the steps shown.



Contact the manufacturer of the base or threshold material with any questions regarding the drilling of holes into their product.



right-hand panel glass installation shown

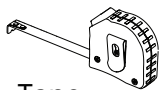


Professional installation by two installers is recommended for this product.

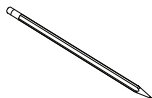
Tools



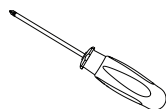
Level



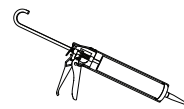
Tape Measure



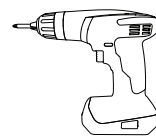
Pencil



#2 Phillips Screwdriver



Silicone



Power Drill



Drill Bit
Ø1/8"
(3mm)



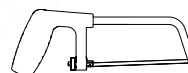
Drill Bit
Ø5/16"
(8mm)



#2 Phillips Driver Bit

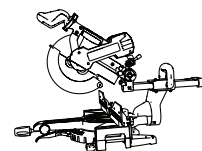


Extender Driver Bit

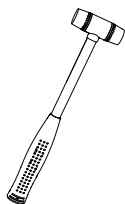


Hacksaw

OR



Miter Saw



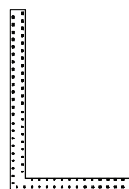
Soft Head Hammer



Safety Glasses



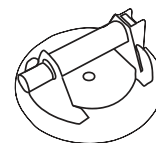
Work Gloves



Carpenter's Square



Razor Knife



Professional-Grade Glass Suction Cup (optional but recommended)



Verify that the correct model size has been ordered; measure the finished opening **before** proceeding with the installation.

Confirm that the finished walls are plumb and the threshold is level and pitched into the shower area.

Use a good quality waterproof, mildew-resistant 100% silicone.

Cover the shower/tub drain with tape prior to installation to prevent the loss of screws or small parts.

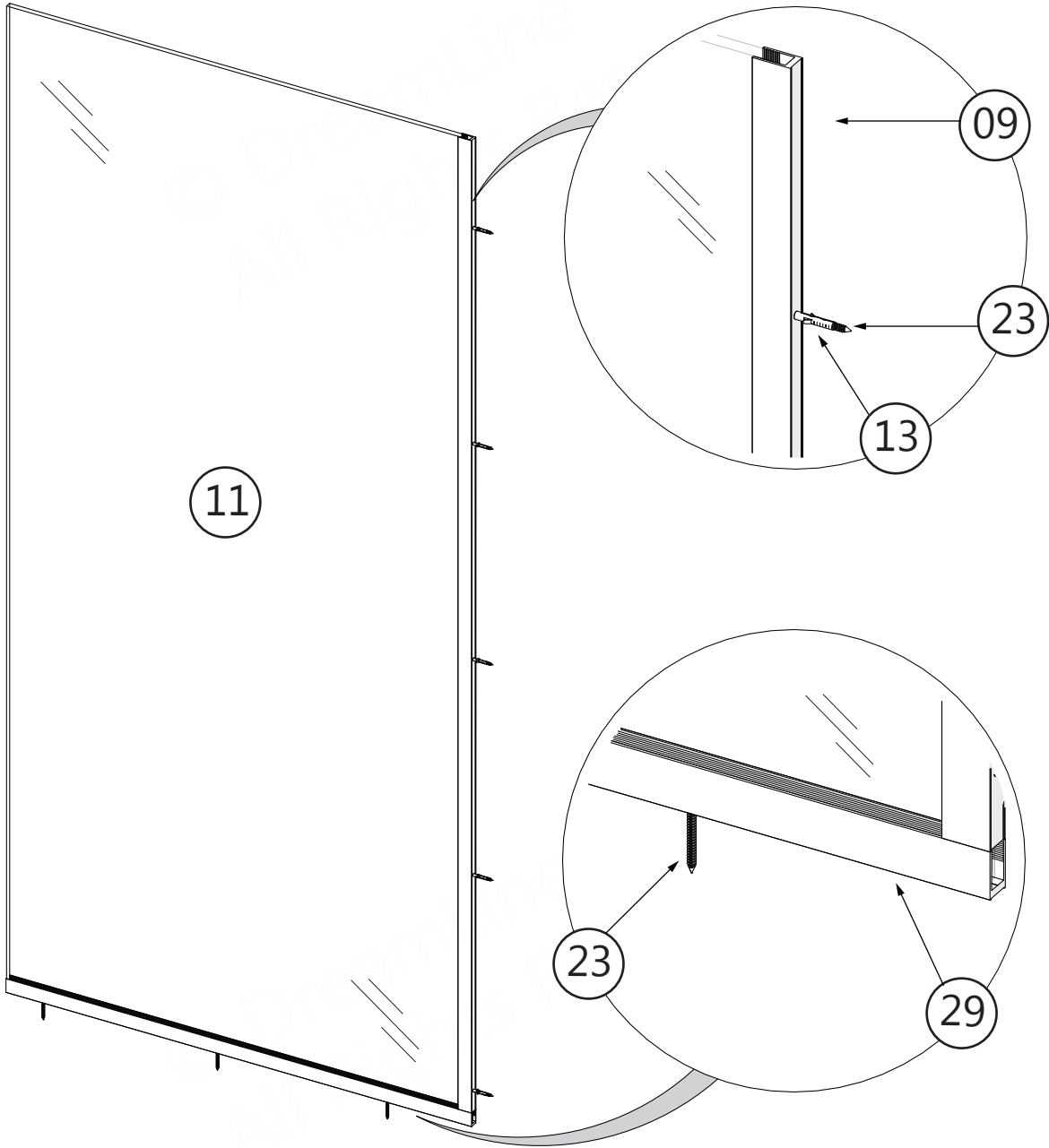
To prevent stripping the screw heads, set the screw gun clutch to a low setting when installing screws and bolts.

Use a type of drill bit that is appropriate for drilling into the finished surface material.



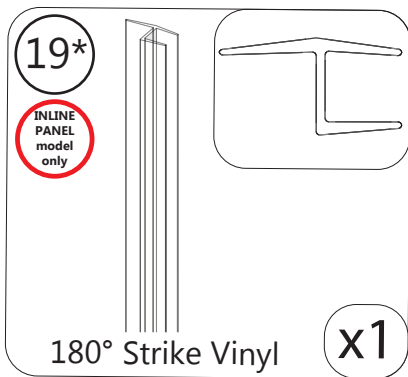
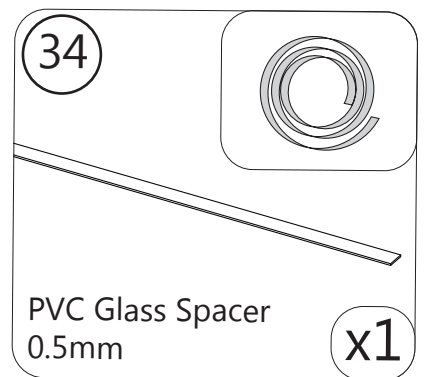
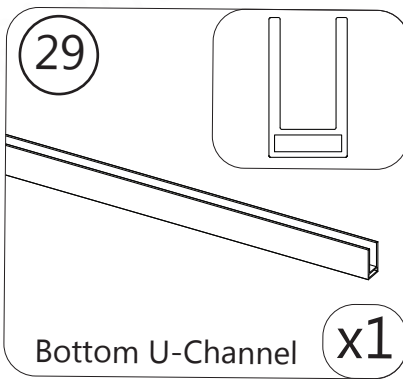
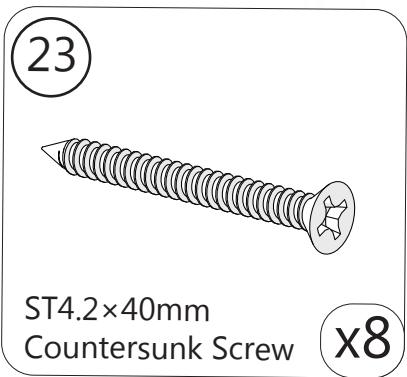
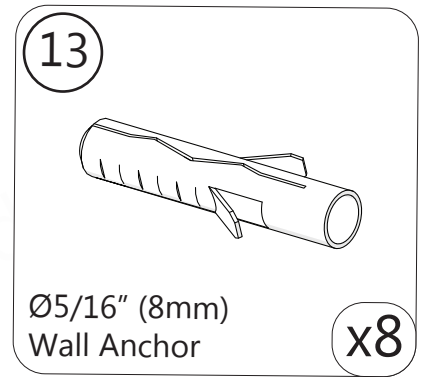
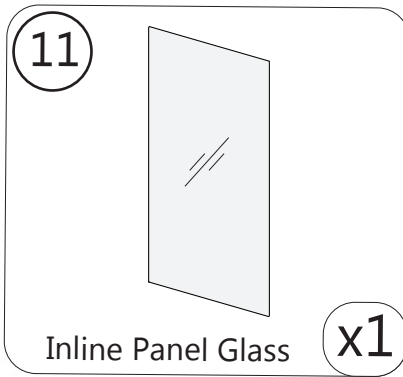
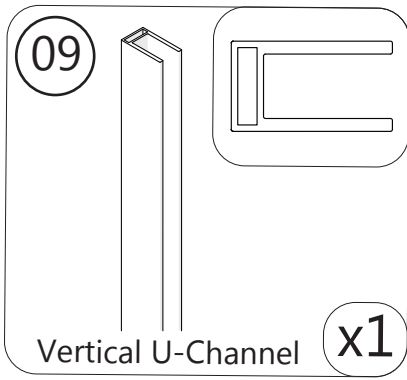
Unpack your unit carefully and inspect it. Lay it out and identify all parts using the **Detailed Diagram** on page 5; and packing list in this manual as a reference. Before discarding the carton, check for small hardware bags that may have fallen to the bottom of the box. If any parts are damaged or missing, please contact DreamLine® for replacement. The shipping boxes may contain extra parts not used in your model configuration. Retain these installation instructions for future reference.

Detailed Diagram of Shower Panel Glass Components

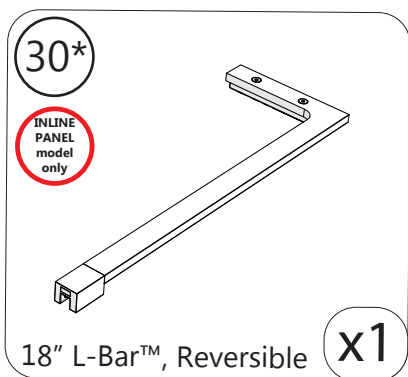


right wall panel installation shown

Parts List



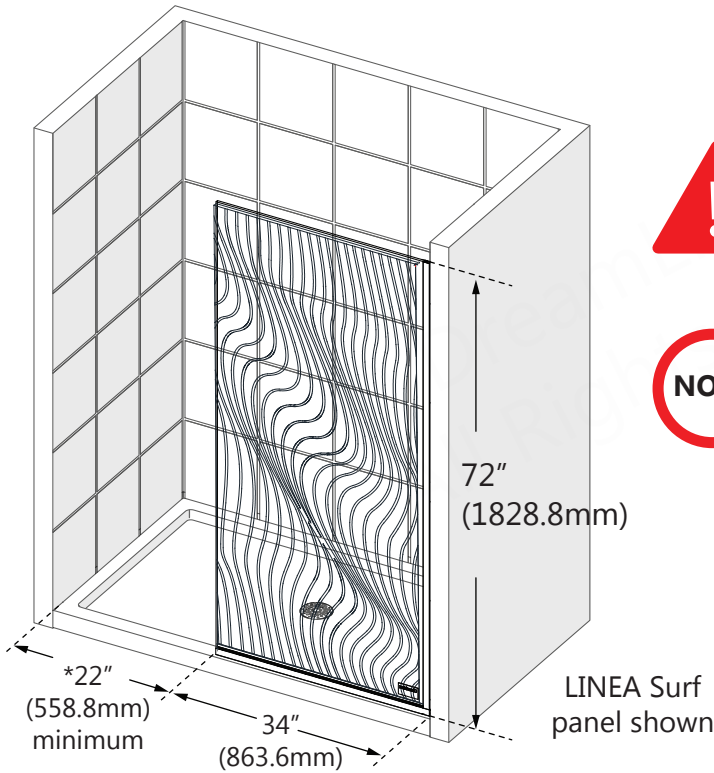
*180° Strike Vinyl (#19) is currently only packaged with the Unidoor door glass and is used with door and inline panel glass configuration only; 180° Strike Vinyl is not used with the single panel installation.



*18" Reversible L-Bar™ (#30) is only used with door and inline panel glass models; The L-Bar™ is not used with the single panel installation.

Model Diagram

34" (863.6mm) Single Panel Installation

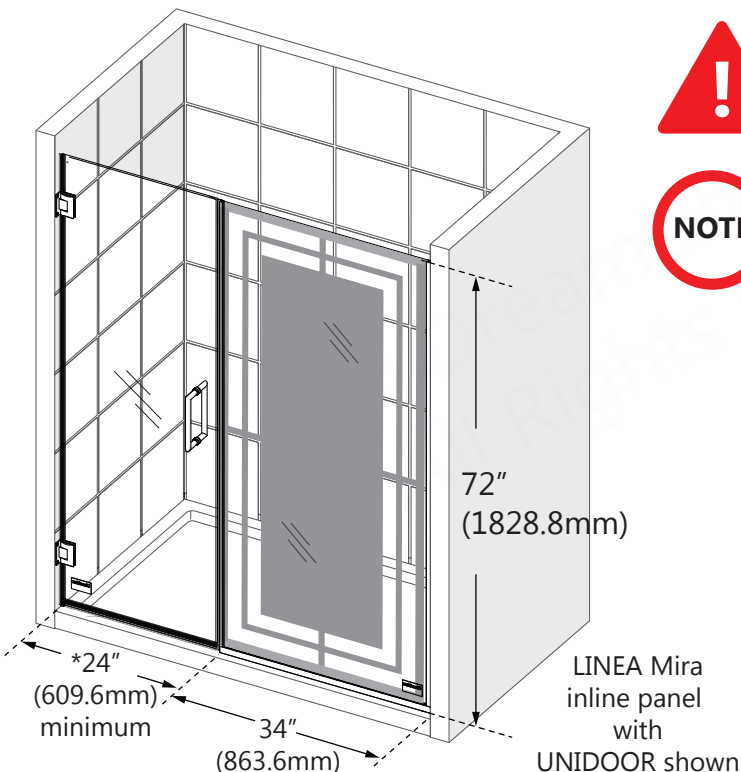


***22" (558.8mm) minimum access space recommended when installed as a Single Panel**



It is recommended to install this 34" x 72" (863.6 x 1828.8mm) single panel into a finished opening (no less than 56" (1422.4mm)) that will allow for at least 22" (558.8mm) of unobstructed access into the shower area.

34" (863.6mm) Inline Panel Installation



***24" (609.6mm) minimum space is required for the door when installed as an Inline Panel (58" overall finished opening)**



When installing the Platinum Linea as an Inline Panel, install the shower door first, then follow the steps that are designated with the symbol for "Inline Panel model only"

**INLINE
PANEL
model
only**

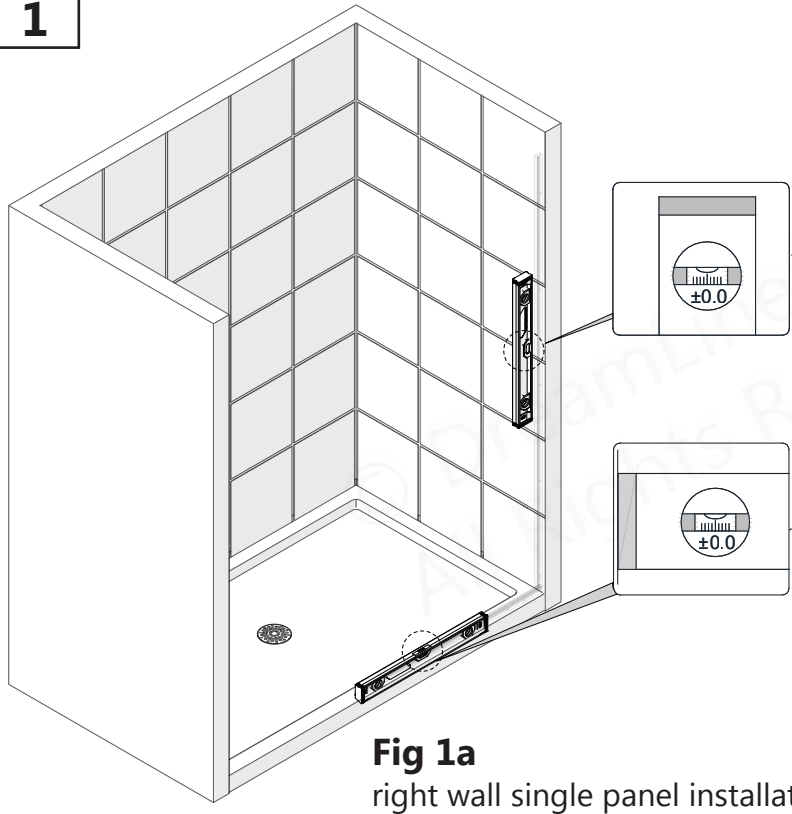
Refer to the Single Shower Door installation manual included in the door packaging for complete shower door installation instructions and then follow this Manual for proper alignment and installation of the Inline Panel.

Recheck the finished opening size before beginning the installation. Specific model size information can be found on **DreamLine.com**.

Install the door first

Installation Steps

1



!

The **Vertical U-Channel (#09)** allows for up to 1/4" (6mm) of out-of-plumb adjustment; verify the walls and threshold with a level before proceeding with the installation.

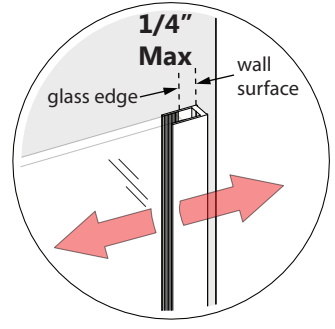
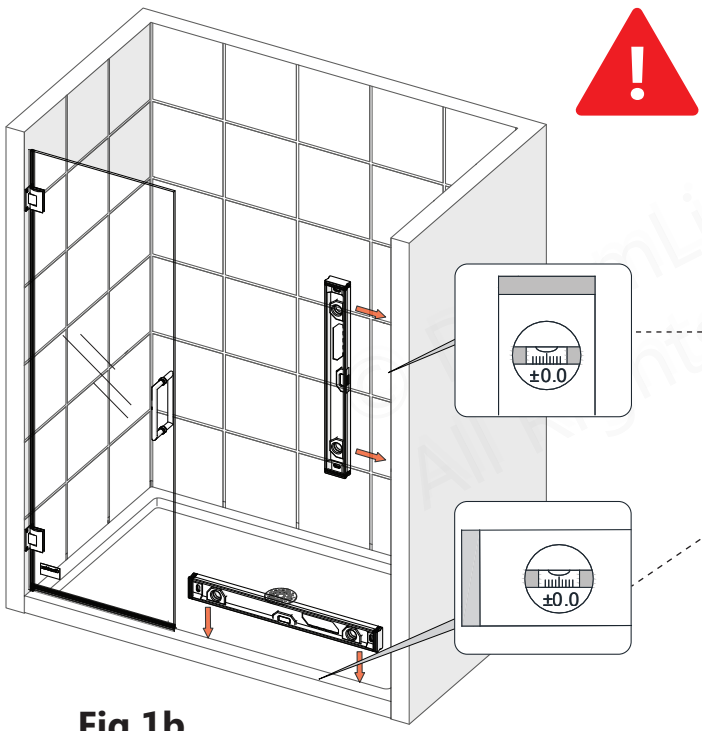


Fig 1a
right wall single panel installation shown

INLINE PANEL model only

Install the door first



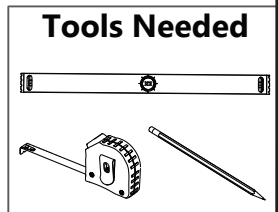
!

For proper alignment, the UNIDOOR Shower Door must be installed prior to proceeding with the following Inline Panel Glass installation instructions.

Please see the Single Shower Door Installation Manual packaged with the door glass for complete shower door installation instructions.

Before you begin the installation, recheck the finished opening size, the walls for plumb and the threshold for level. Specific model size information can be found on DreamLine.com.

Fig 1b
UNIDOOR PLUS door shown



2

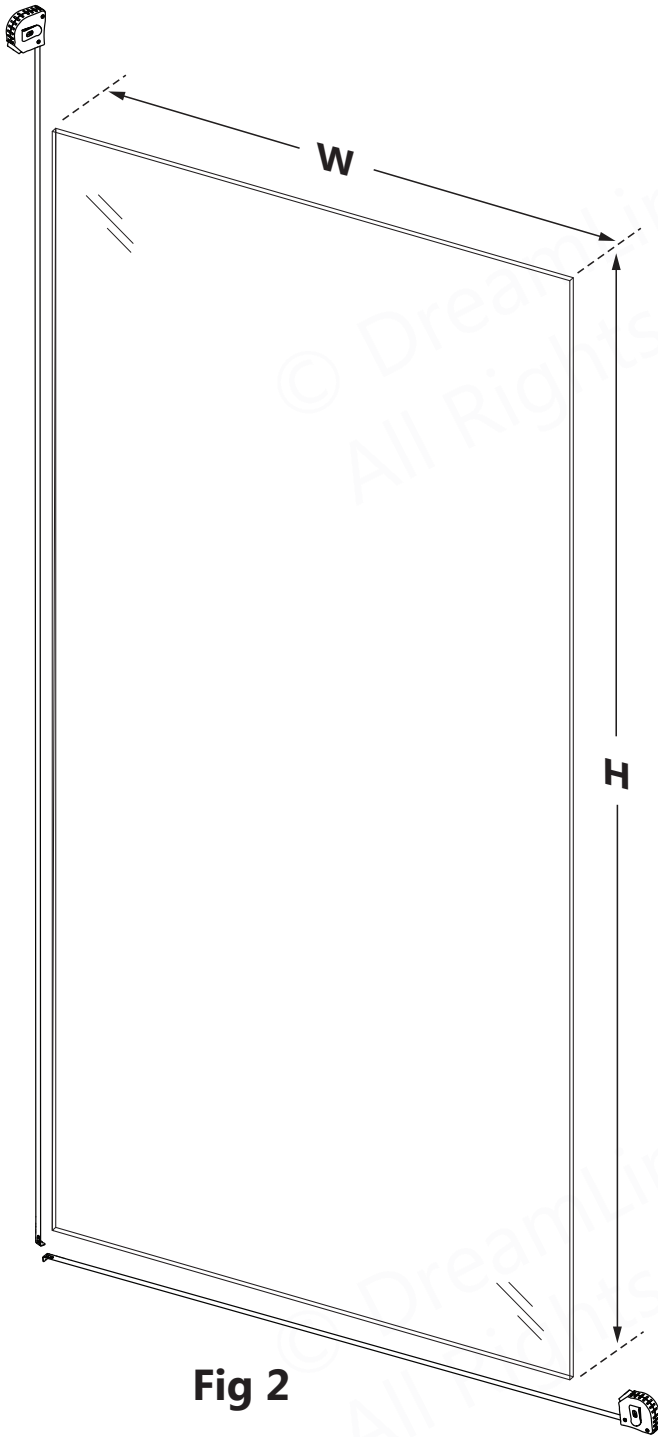
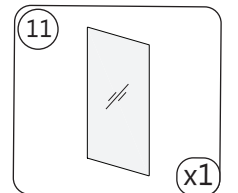


Fig 2

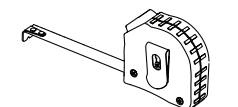
Glass Width (W)

Glass Height (H)

Parts Needed



Tools Needed



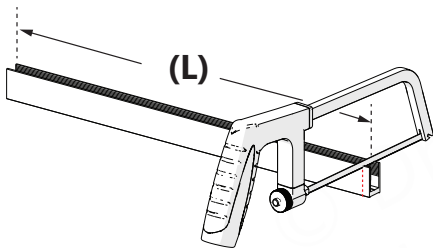
When applicable, patterned glass is designed to be installed with the wider border at the bottom.

3

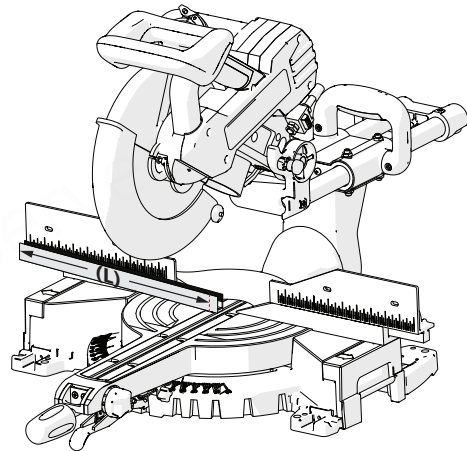
Cut the Bottom U-Channel to:

Glass Width (W) (+) 3/16" = 34" (863.6mm) = (L)** (see EXCEPTION below)

Fig 3a



OR



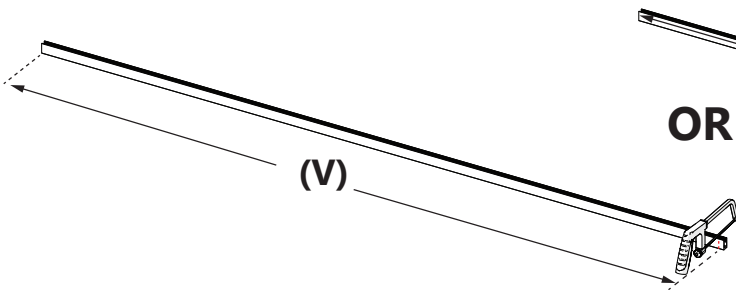
Cut the Vertical U-Channel to:

Glass Height (H) (-) 13/16" = (V) (for 72" model height, V= 71" (1803.6mm))

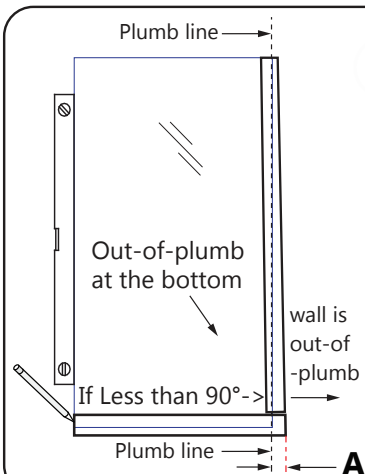
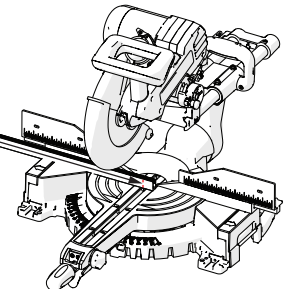
Fig 3b



Cut the Vertical U-Channel to 71" (1803.4mm) for the standard 72" (1828.8mm) model height



OR

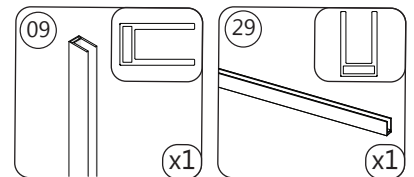


**EXCEPTION:

If the wall is out-of-plumb at the **bottom**, measure that dimension as (A) and add (A) to the finished cut length of the U-channel: (+1/4" (6.35mm) max):

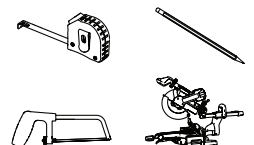
Glass Width + 3/16" (4.7mm) + (A) = Finished Cut Length (L) for Bottom U-Channel

Parts Needed



Use a metal file to deburr the cut end

Tools Needed



4

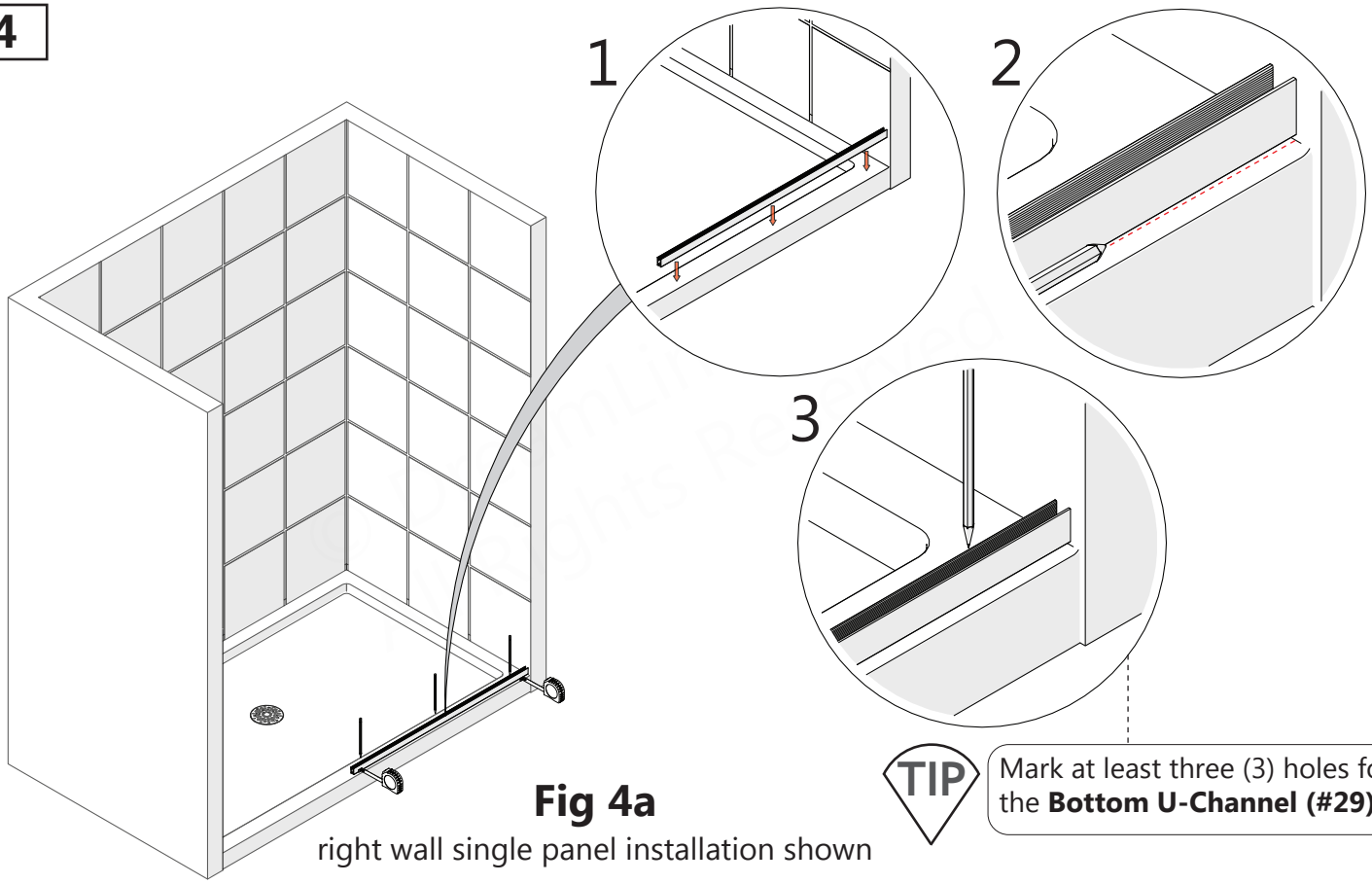


Fig 4a

right wall single panel installation shown



Mark at least three (3) holes for the **Bottom U-Channel (#29)**.

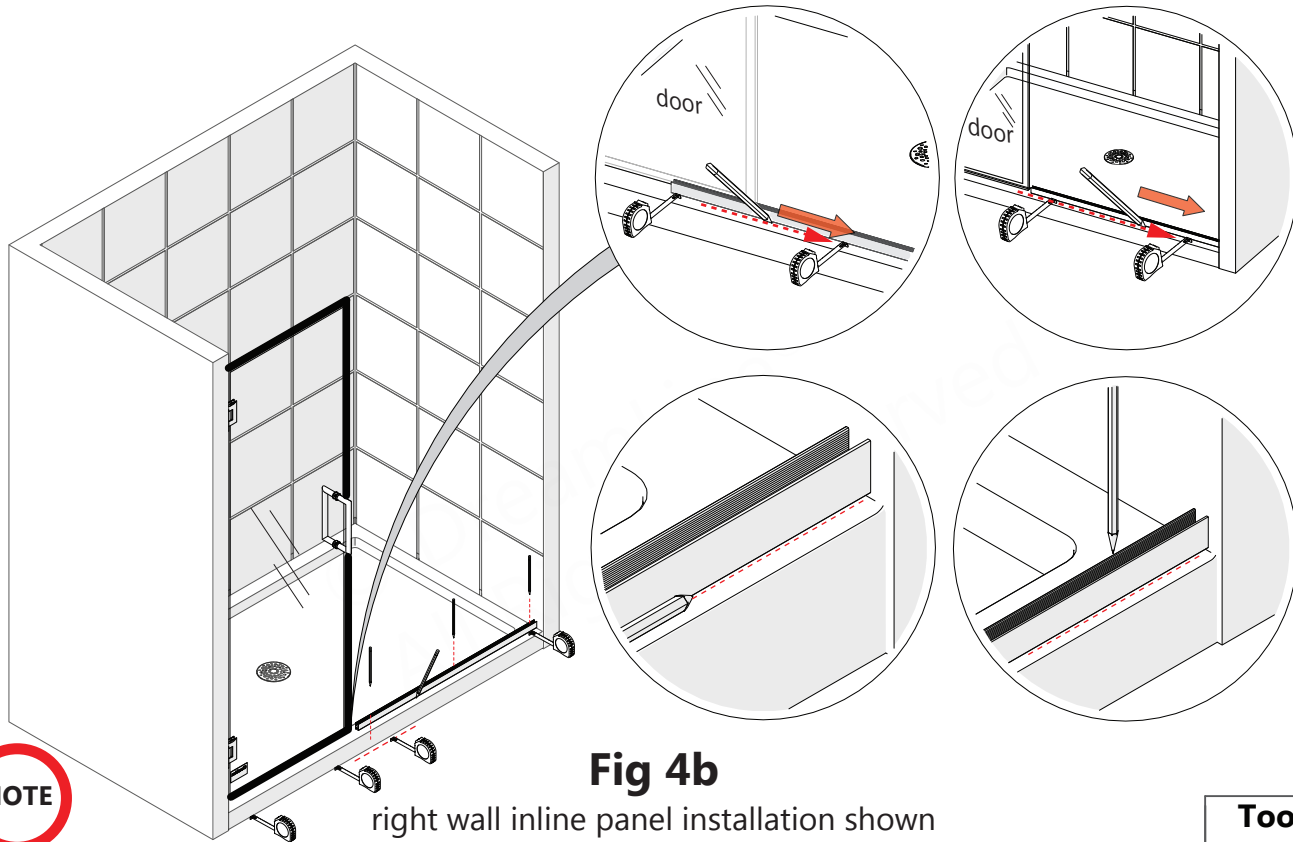


Fig 4b

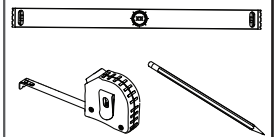
right wall inline panel installation shown

**INLINE
PANEL
model
only**

NOTE

To align the inline panel glass with an installed door: Hold the door glass parallel with the outside of the threshold; place the u-channel onto the bottom of the door glass and slide it towards the panel-side wall. Mark the threshold while maintaining the u-channel alignment with the door glass. (see Fig 4b.1-2)

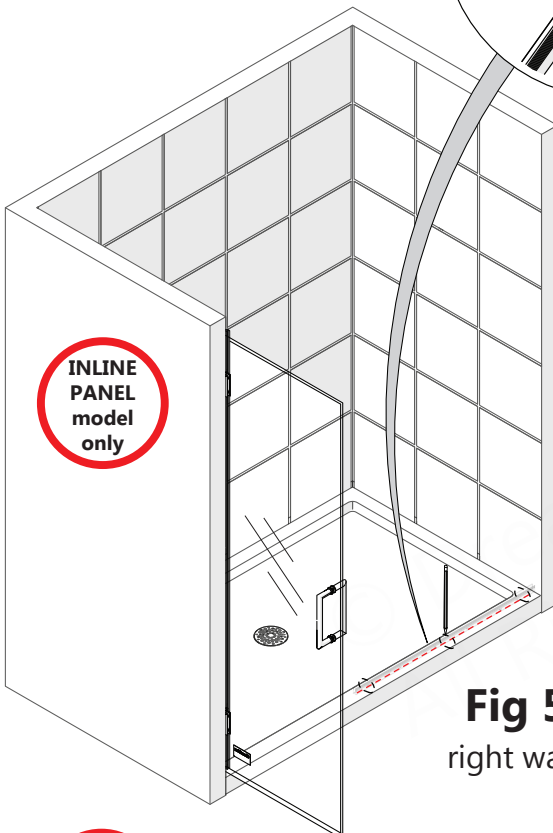
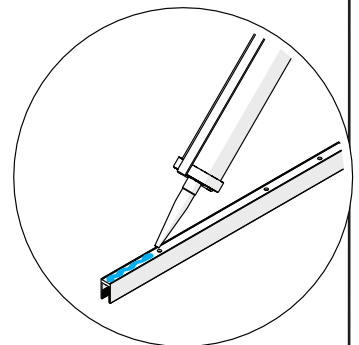
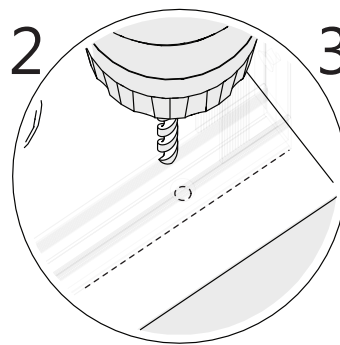
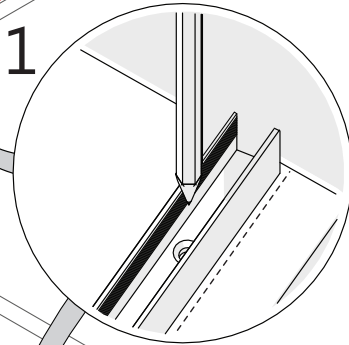
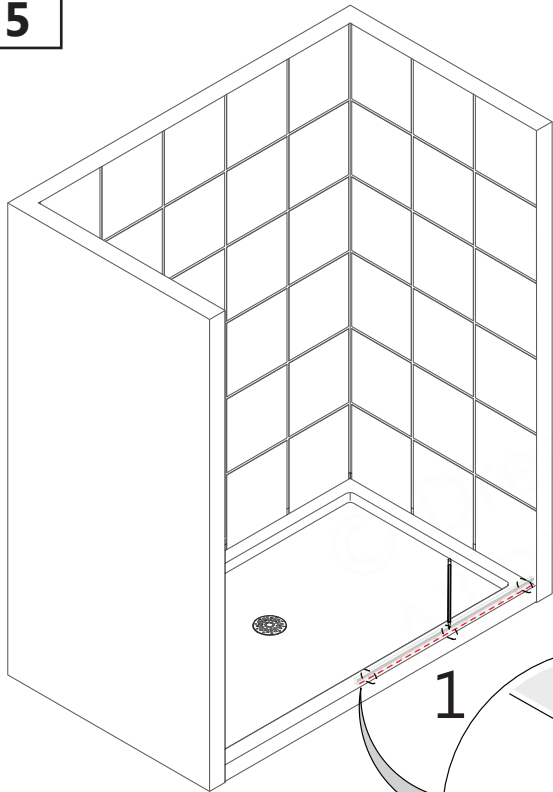
Tools Needed



5

NOTE

- For installation into an **Acrylic Threshold**: drill an $\text{Ø}1/8''$ (3mm) hole and use the **ST4.2 x 40mm Countersunk Screw (#23)**
- OR
- For installation into a **Tile Threshold**: drill a $\text{Ø}3/16''$ (4.76mm) hole up to the stud, drill an $\text{Ø}1/8''$ (3mm) pilot hole into the stud and use the **ST4.2 x 40mm Countersunk Screw (#23)**



INLINE PANEL model only

TIP

For drilling into wall/threshold surfaces, use the appropriate drill bit for the type of surface material

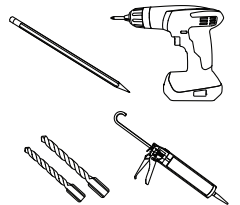
Fig 5

right wall single or inline panel installation shown

NOTE

The surfaces need to be clean and free of debris before applying silicone.

Tools Needed



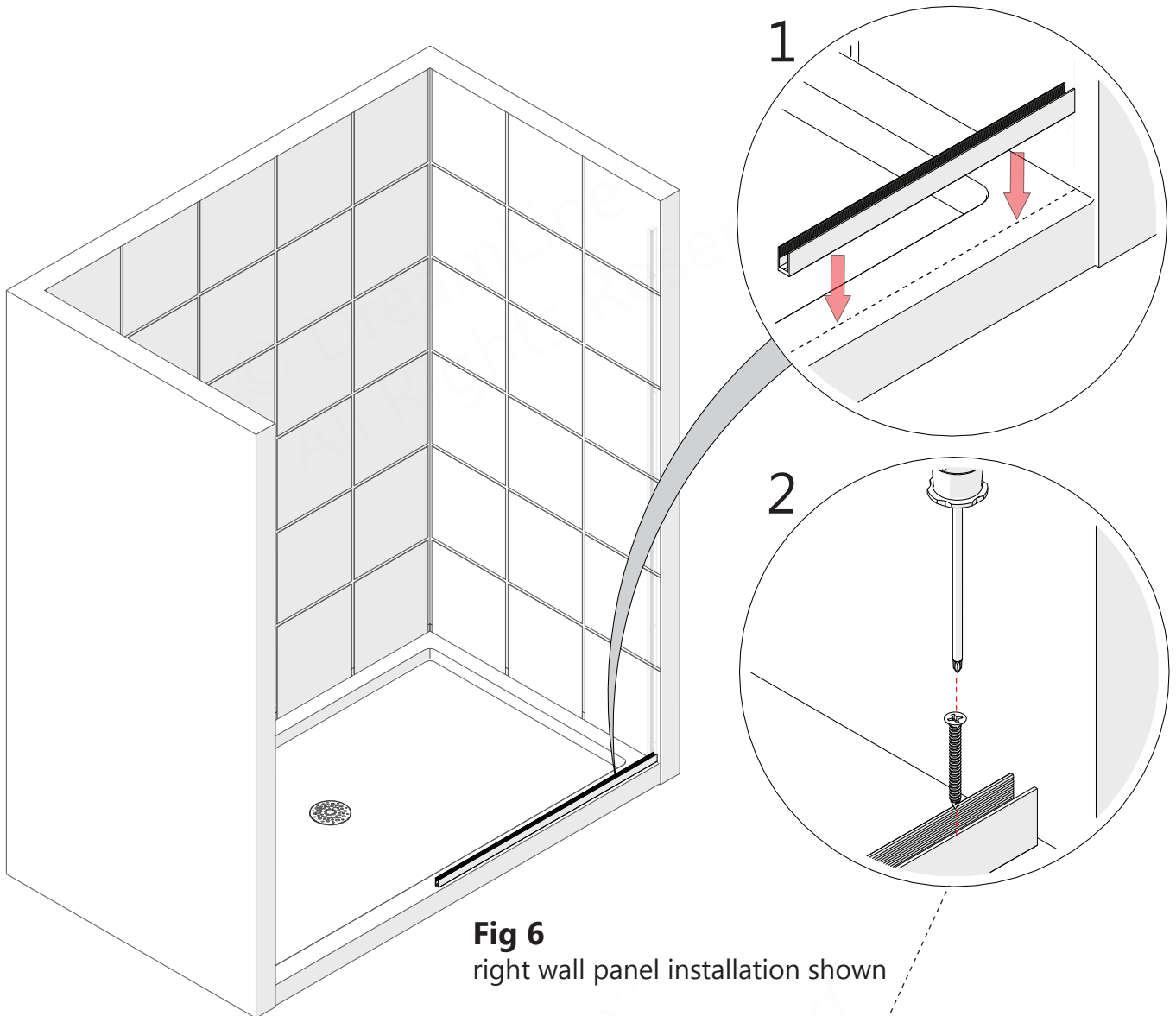
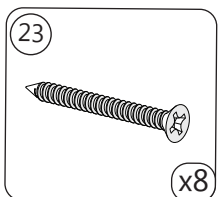


Fig 6
right wall panel installation shown



To prevent damage to the glass:
Fully countersink the screws so the
screw heads do not stick up above the
surface of the u-channel.

Parts Needed



Tools Needed

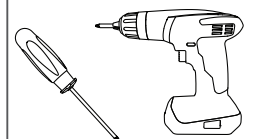


Fig 7a

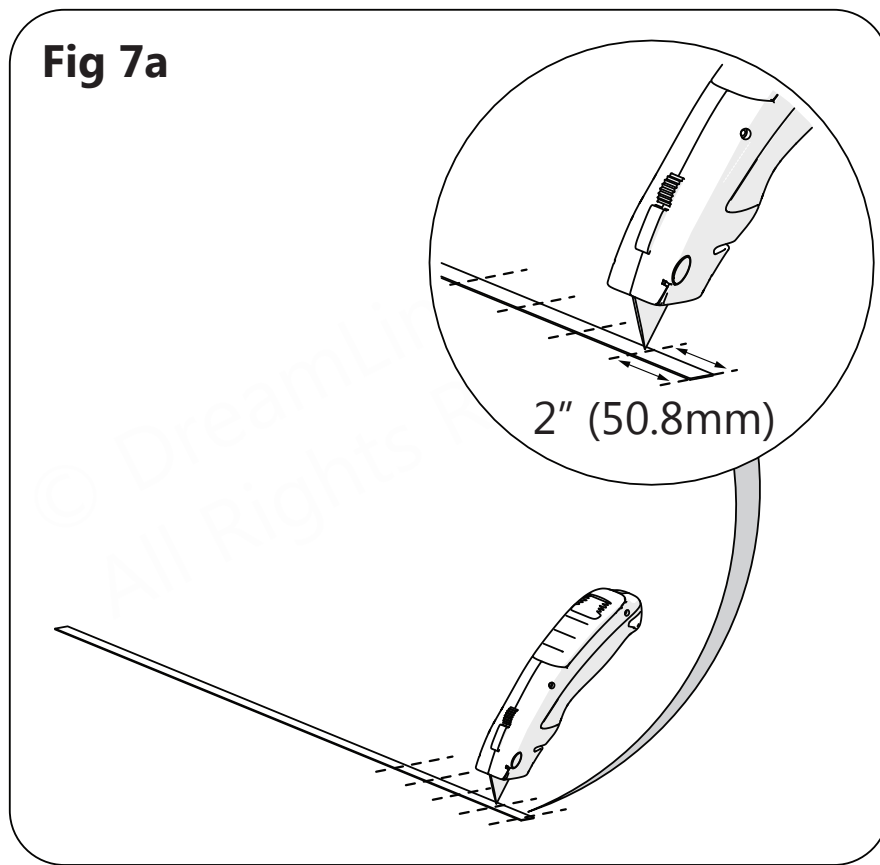
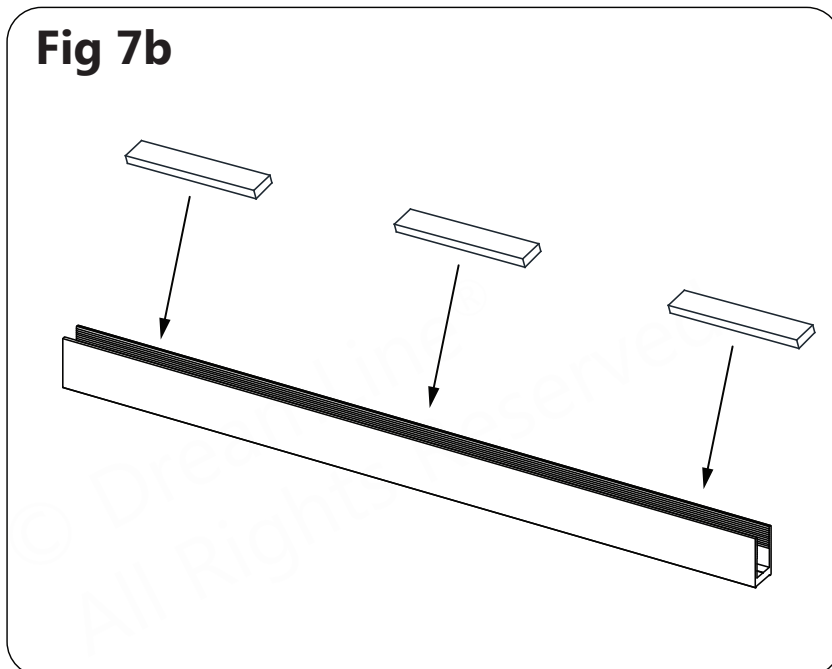
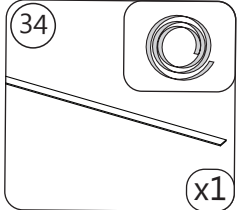


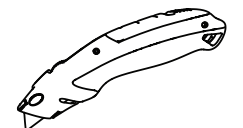
Fig 7b



Parts Needed



Tools Needed

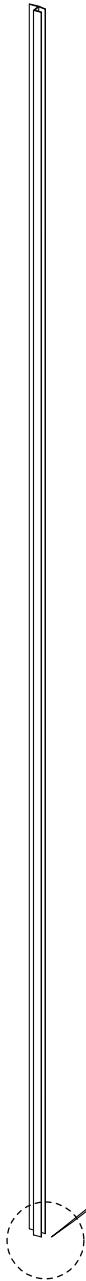


Cut several 2" - 3" (50.4mm-76.2mm) pieces of the PVC Glass Spacer 0.5mm (#28). DO NOT install one long continuous piece into the Bottom (#29) U-Channel!

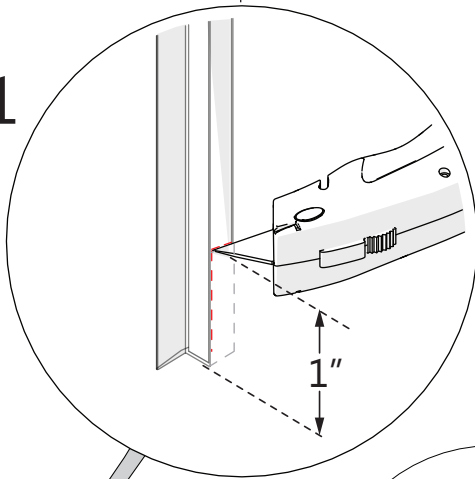
**INLINE
PANEL
model
only**



Determine the proper orientation of the **180° Strike Vinyl (#19)**. Cut a 1" (25.4mm) notch into the bottom end to allow the vinyl to fit tight around the **Bottom U-Channel (#29)** for Step#9.



1



2

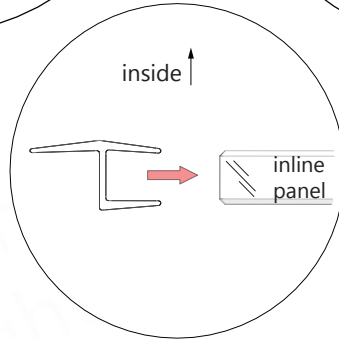
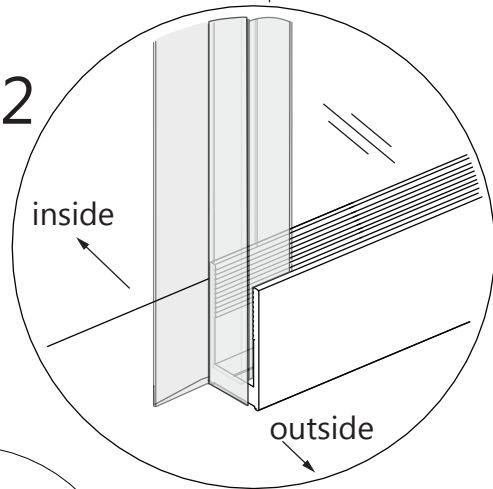
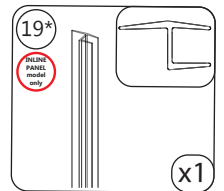


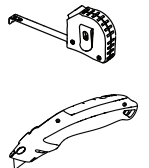
Fig 8

right wall inline panel installation shown

Parts Needed



Tools Needed



9

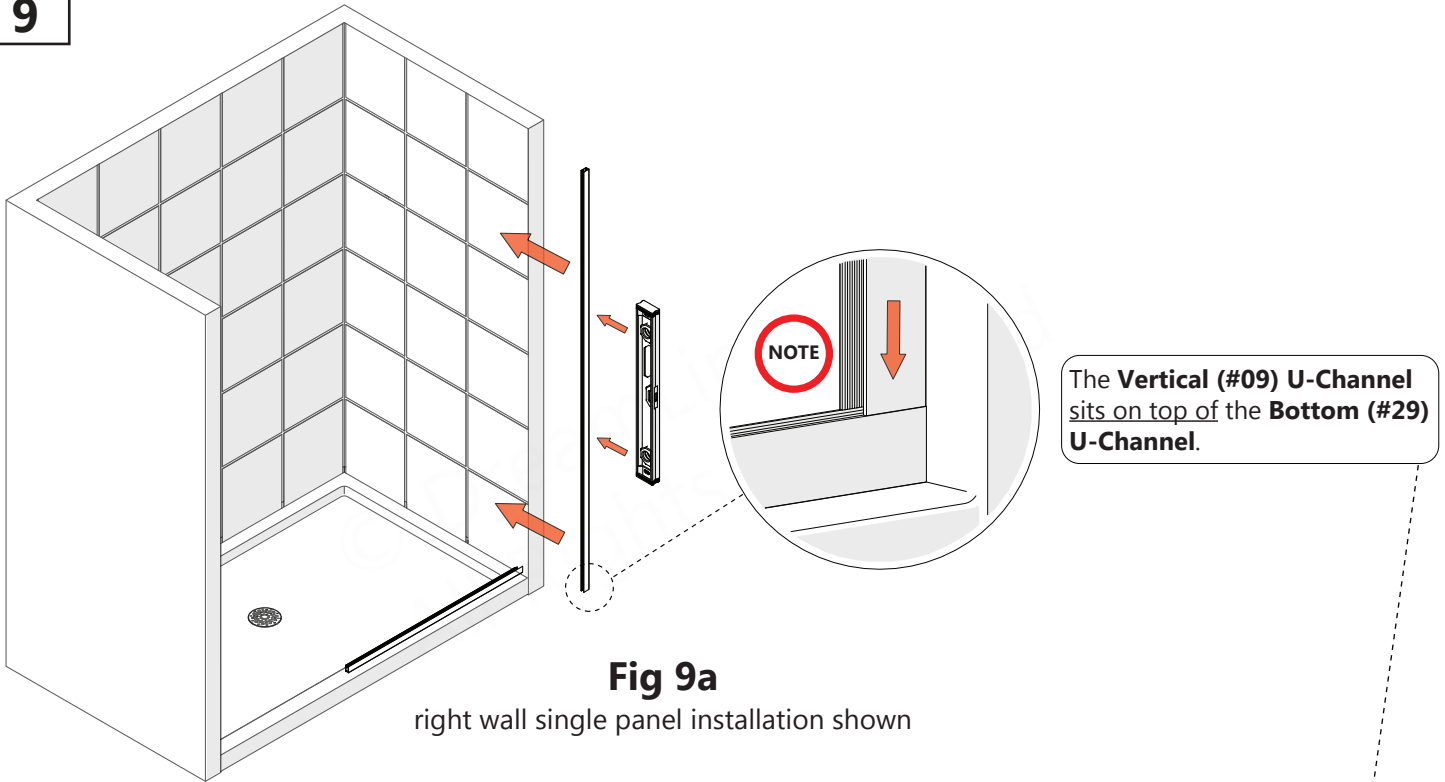


Fig 9a
right wall single panel installation shown

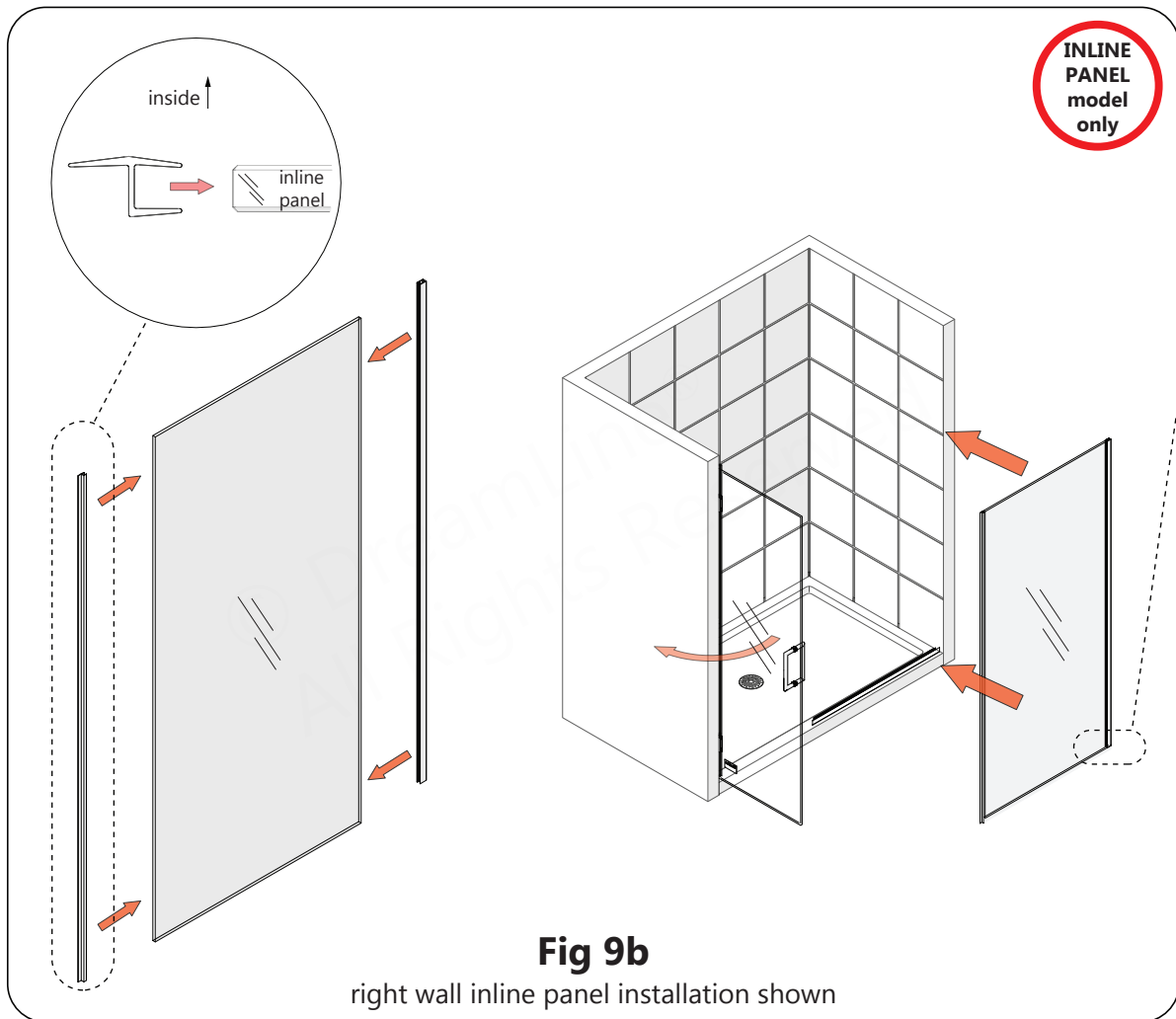


Fig 9b
right wall inline panel installation shown

10

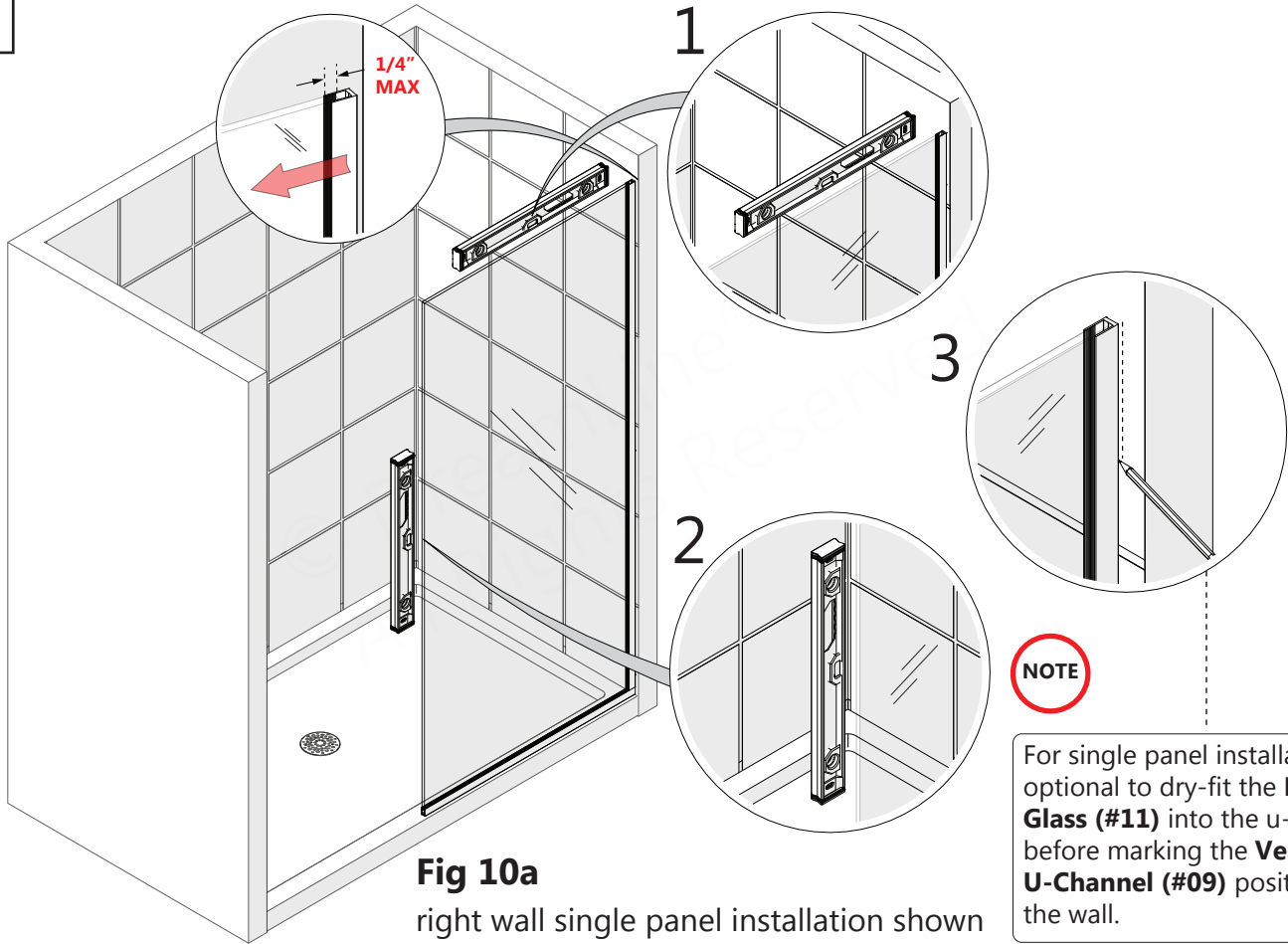


Fig 10a
right wall single panel installation shown

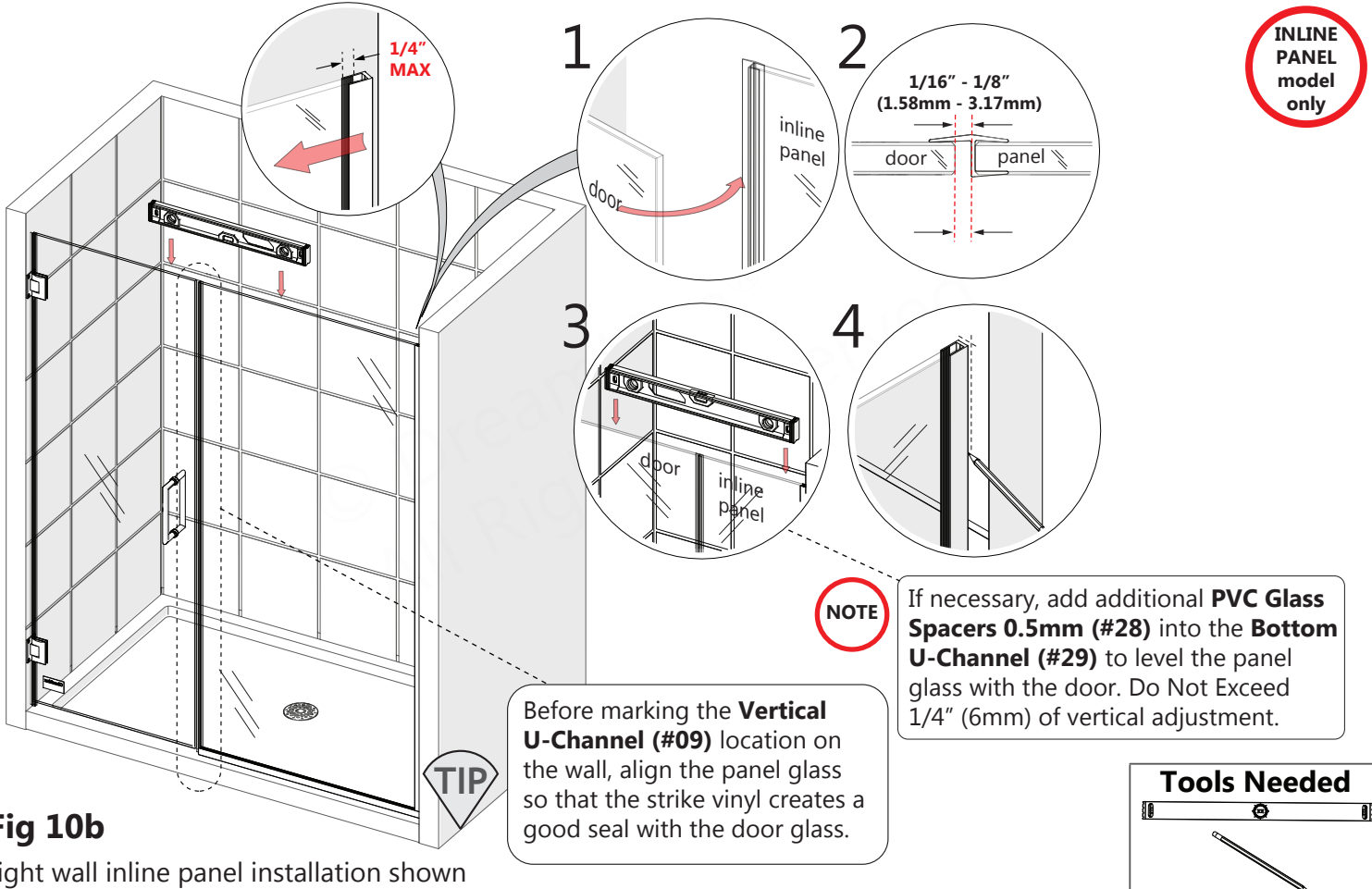
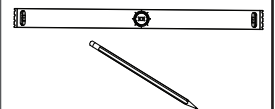


Fig 10b
right wall inline panel installation shown

TIP
Before marking the **Vertical U-Channel (#09)** location on the wall, align the panel glass so that the strike vinyl creates a good seal with the door glass.

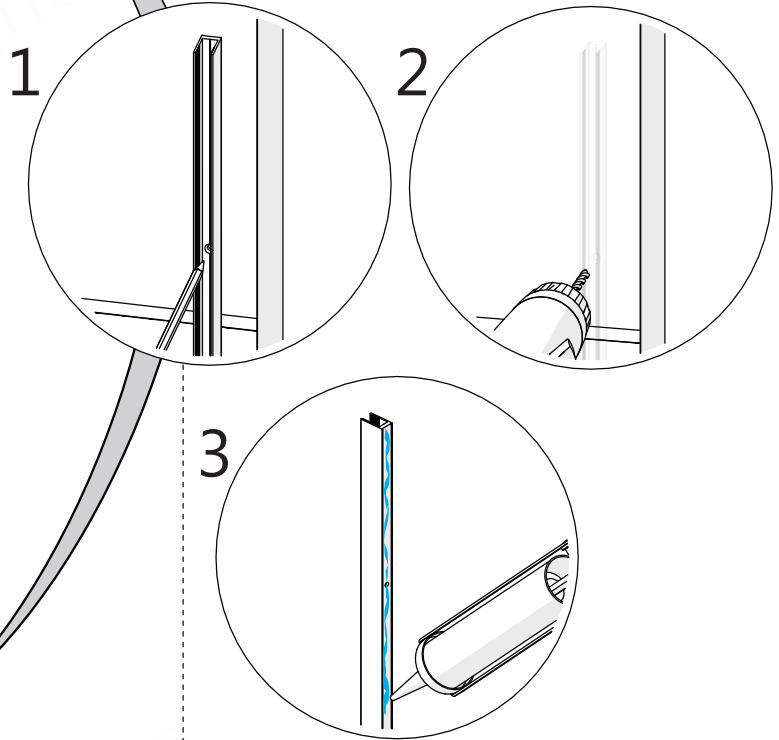
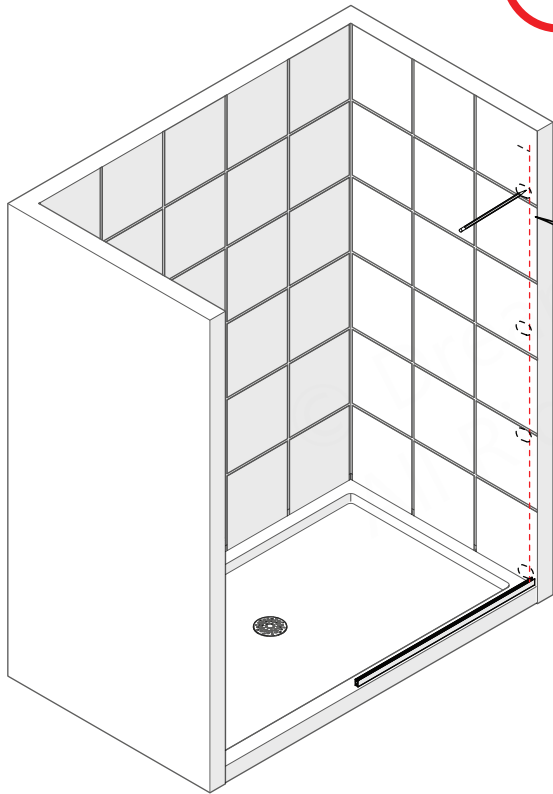
NOTE
If necessary, add additional **PVC Glass Spacers 0.5mm (#28)** into the **Bottom U-Channel (#29)** to level the panel glass with the door. Do Not Exceed 1/4" (6mm) of vertical adjustment.

Tools Needed



NOTE

- **If a stud is present behind the wall:** drill a $\text{Ø}3/16''$ (4.76mm) hole up to the stud, drill an $\text{Ø}1/8''$ (3mm) pilot hole into the stud and use the **ST4.2 x 40mm Countersunk Screws (#23)**
- OR
- **If no stud is present behind the wall:** drill a $\text{Ø}5/16''$ (8mm) hole and insert the **Wall Anchors (#13)** and use the **ST4.2 x 40mm Countersunk Screws (#23)**.



TIP

Mark at least four (4) holes for the **Vertical U-Channel (#09)**.

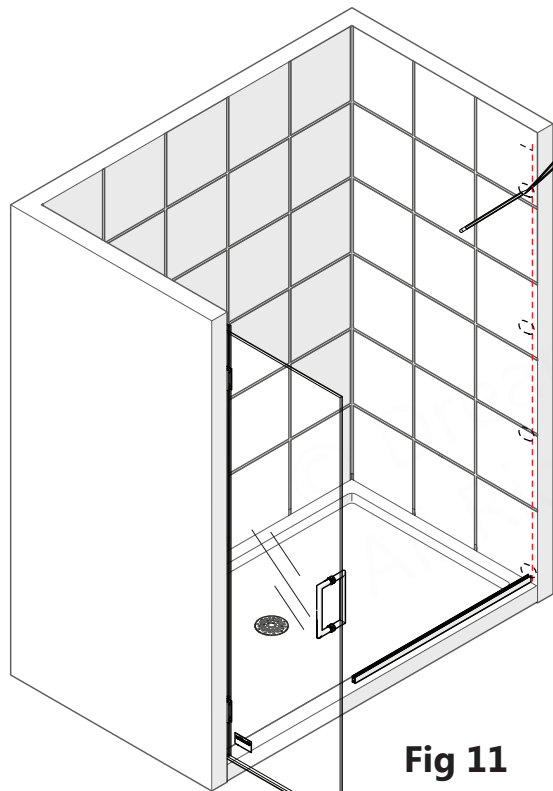
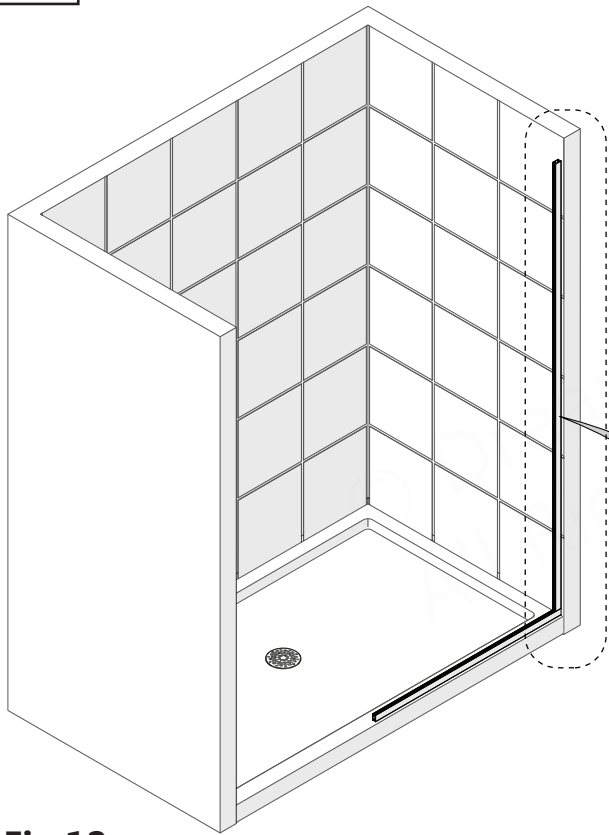
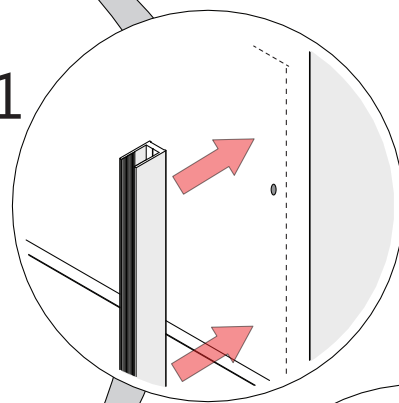


Fig 11
right wall installation shown
for single or inline panel

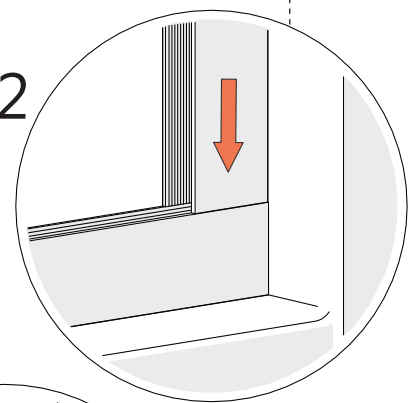
Tools Needed



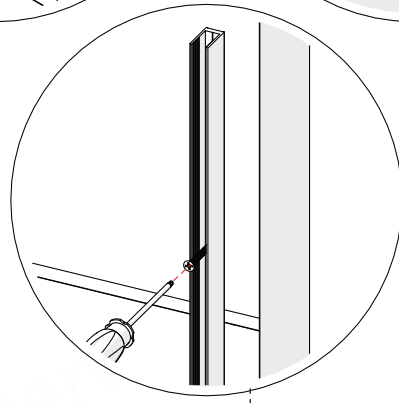
1



2

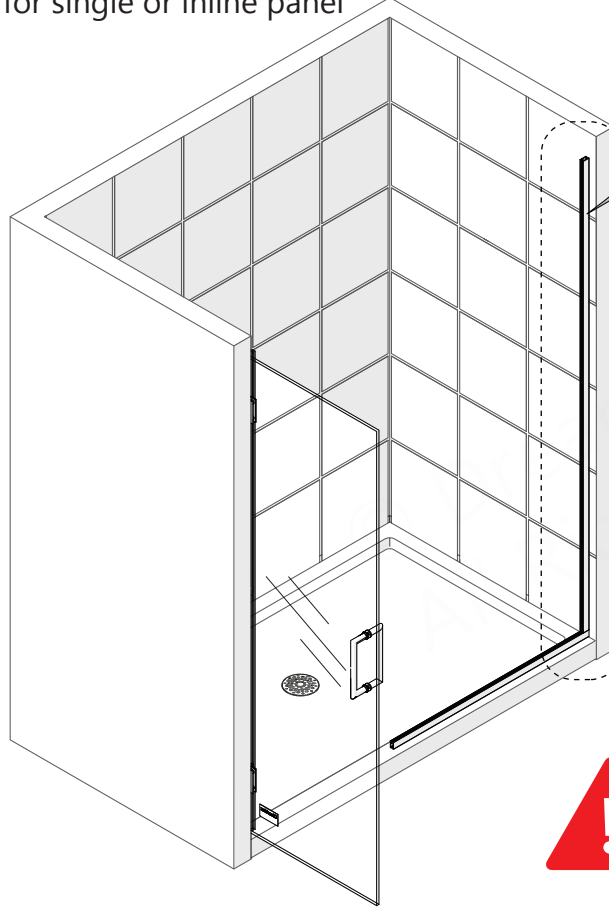


3



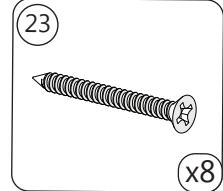
The **Vertical (#09) U-Channel** sits on top of the **Bottom (#29) U-Channel**.

Fig 12
right wall installation shown for single or inline panel

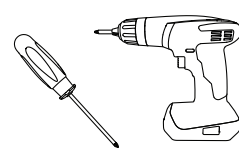


To prevent damage to the glass:
Fully countersink the screws so the screw heads do not stick out from the surface of the u-channel.

Parts Needed



Tools Needed



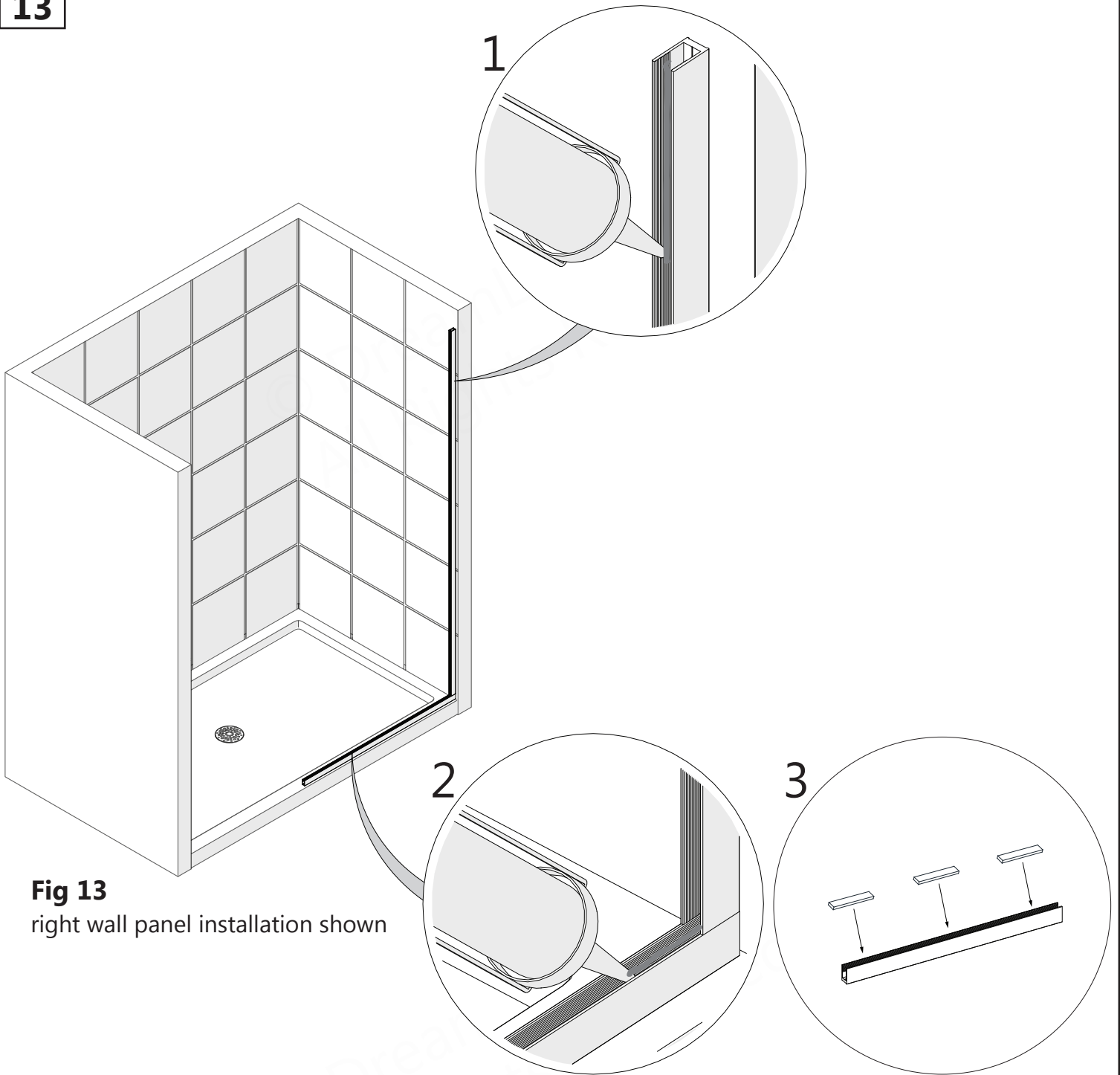
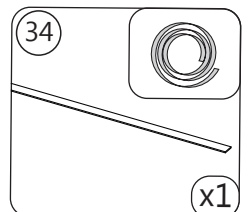


Fig 13
right wall panel installation shown



NOTE After applying silicone into the Bottom U-Channel, install several 2"- 3" pieces of the PVC Glass Spacer 0.5mm (#28) into the Bottom U-Channel (#29) to protect the bottom edge of the glass. (Fig 11.3)

Parts Needed



Tools Needed



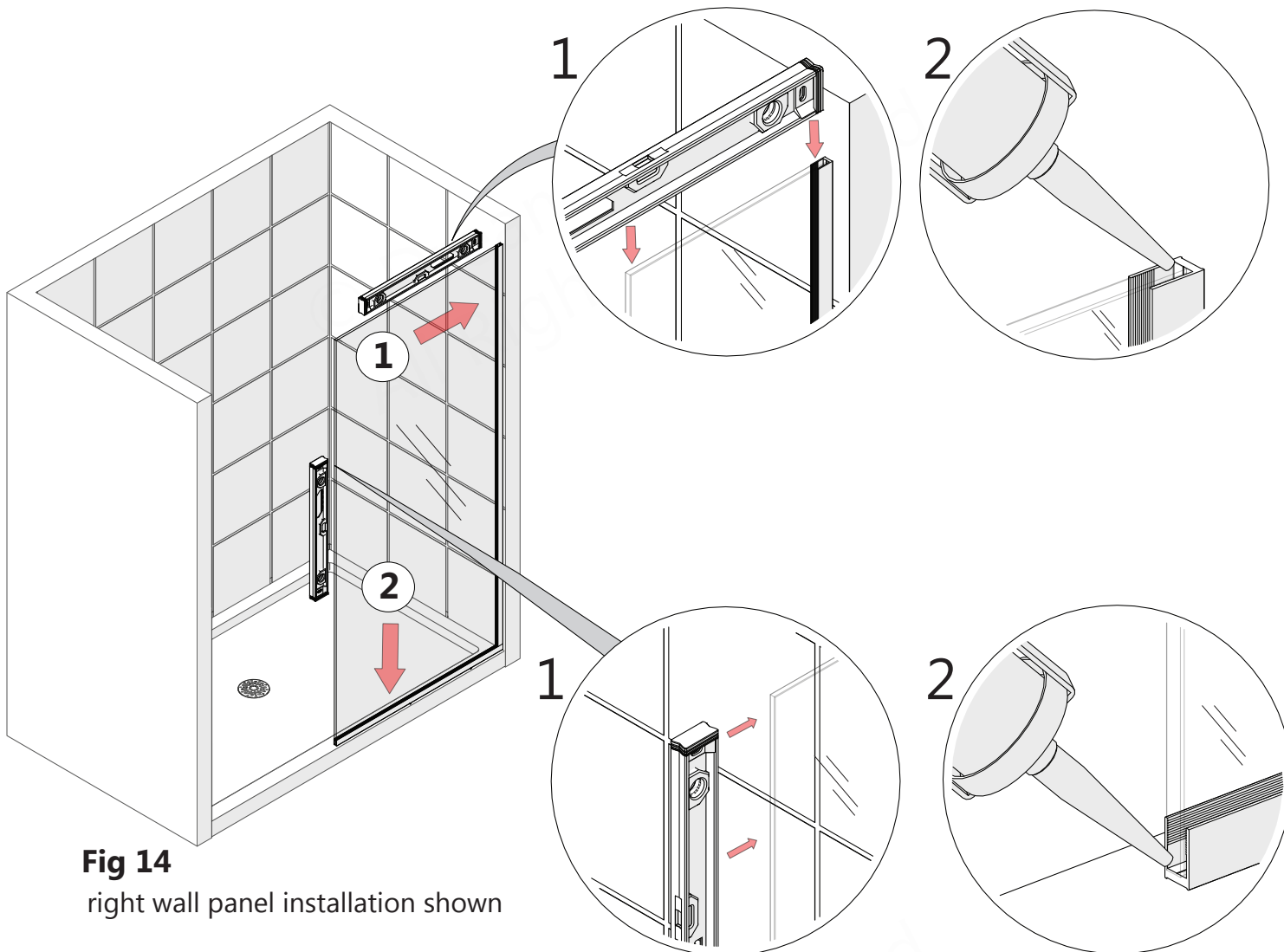
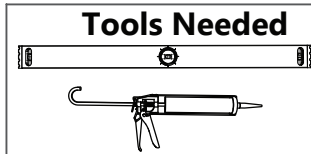


Fig 14
right wall panel installation shown

NOTE

Slide the panel glass into the vertical u-channel first and then slide it down into the bottom u-channel



Reversible L-Bar™ Installation



*18" Reversible L-Bar™ (#30) is only used with door and inline panel glass models; The L-Bar™ is not used with the single panel installation.

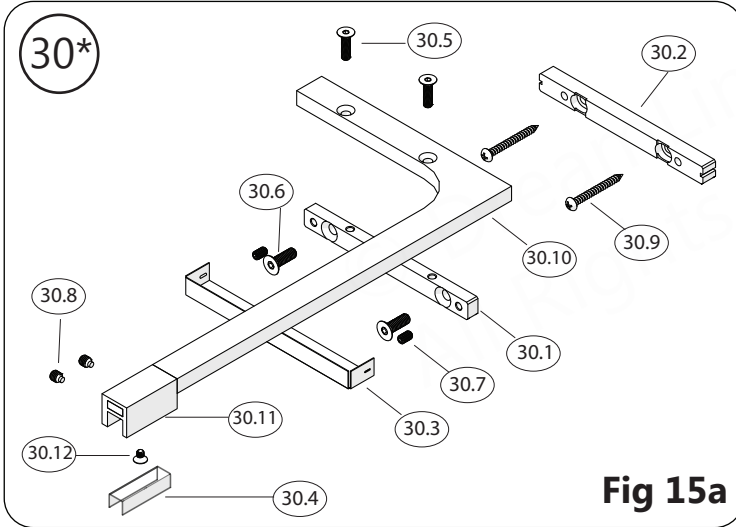


Fig 15a

Item	Item Description	Quantity
30.1	Reversible L-Bar™ Adjustable Bracket	1pc
30.2	Reversible L-Bar™ Wall Bracket	1pc
30.3	Reversible L-Bar™ Decorative Cover	1pc
30.4	Sheet Vinyl Gasket	1pc
30.5	M5×18 Screw	2pcs
30.6	M6×18 Screw	2pcs
30.7	M5×8 Set Screw	2pcs
30.8	M6×6 Rubber-Tipped Set Screw	2pcs
30.9	Truss Head Screw ST4.2×40	2pcs
30.10	Reversible L-Bar™ Body	1pc
30.11	Reversible L-Bar™ Glass Holder	1pc
30.12	M4×6 Screw	1pc

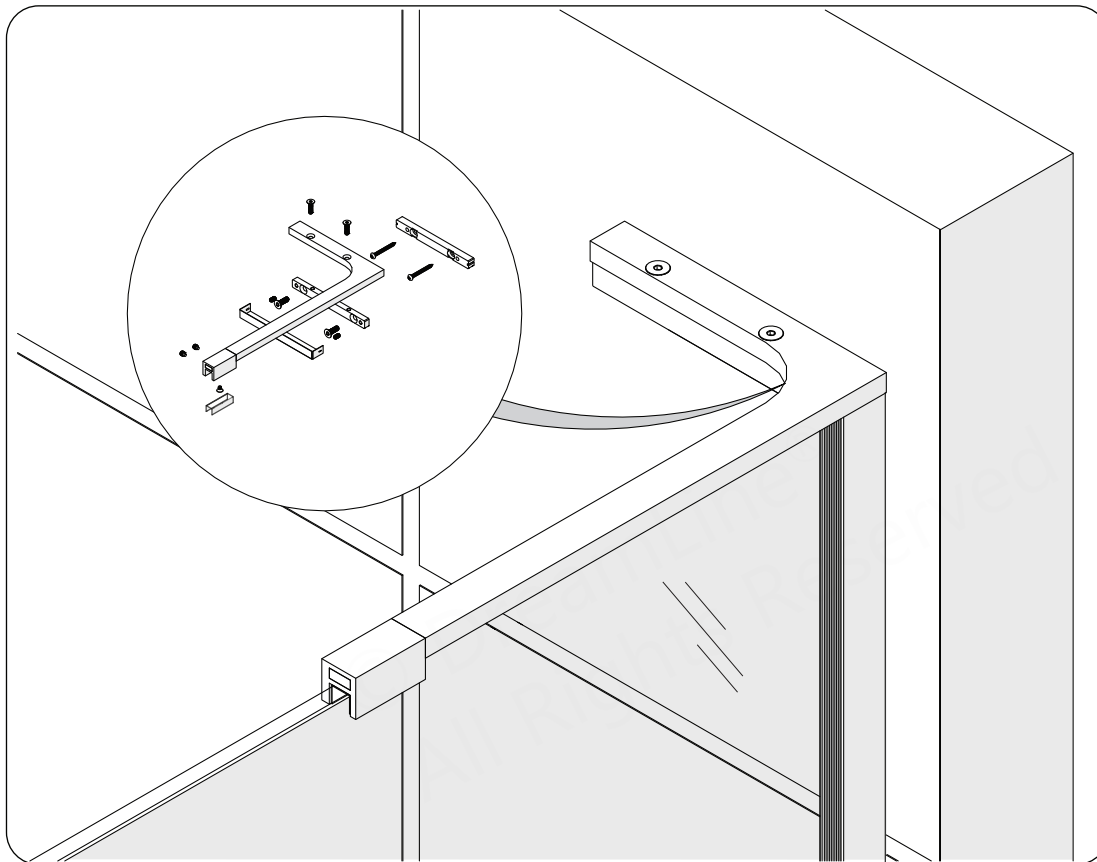
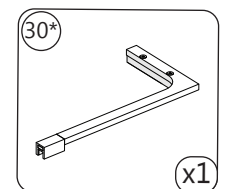


Fig 15b
right-handed installation shown

The L-Bar™ is reversible for left or right hand installation. All images shown are in the right-handed orientation. To reverse the orientation of the L-Bar™, refer to pages 27-28 for further instructions.

Parts Needed



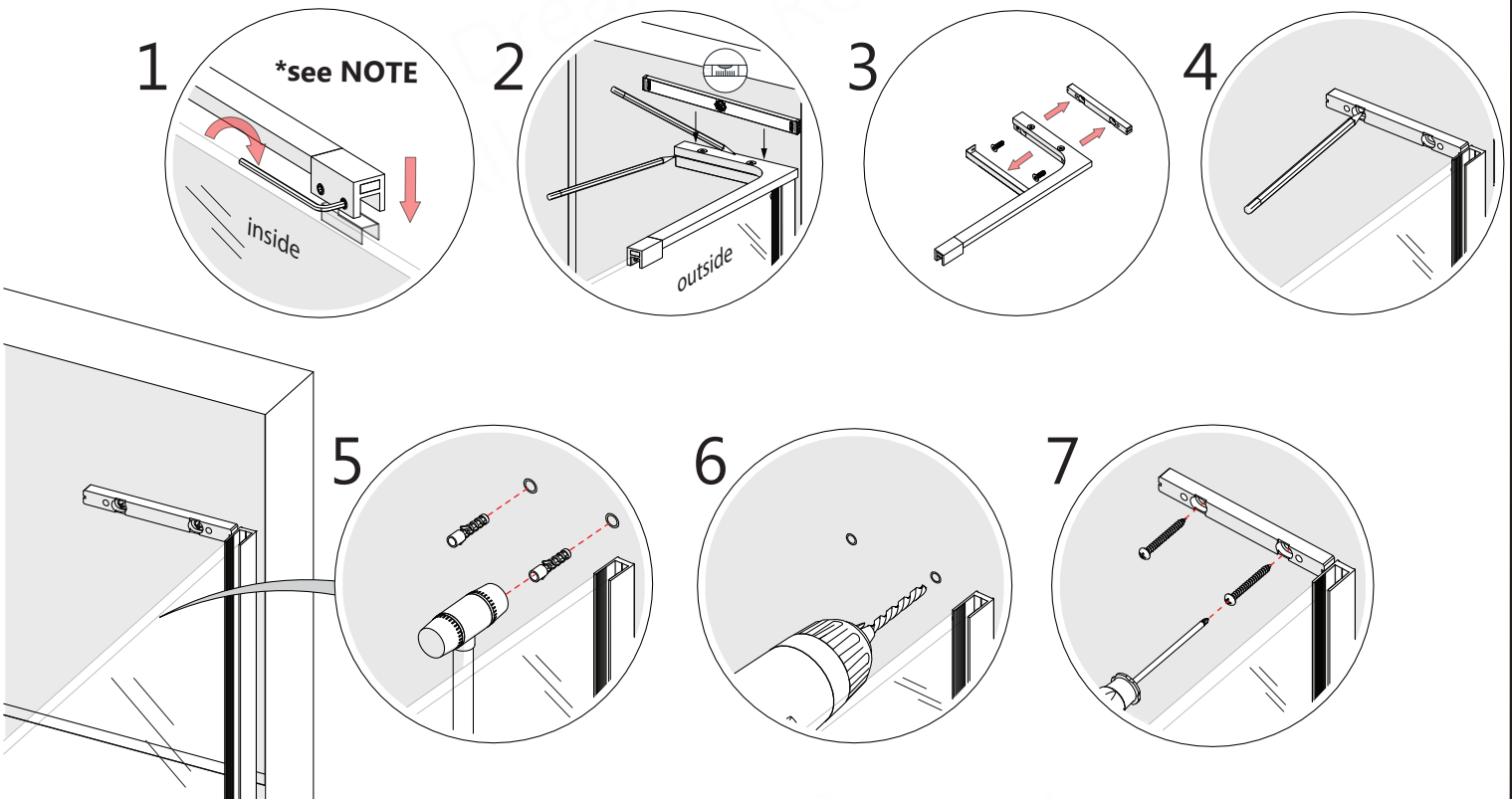
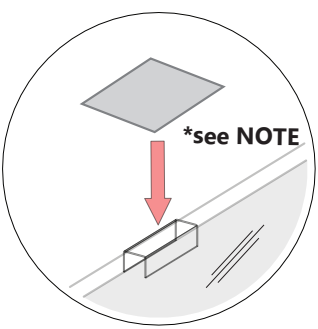


Fig 16
right-handed installation shown



*The **0.5mm PVC Spacer** for the **L-Bar™ Glass Holder** is shipped flat and must be molded around the top of the **Panel Glass** during installation.



17

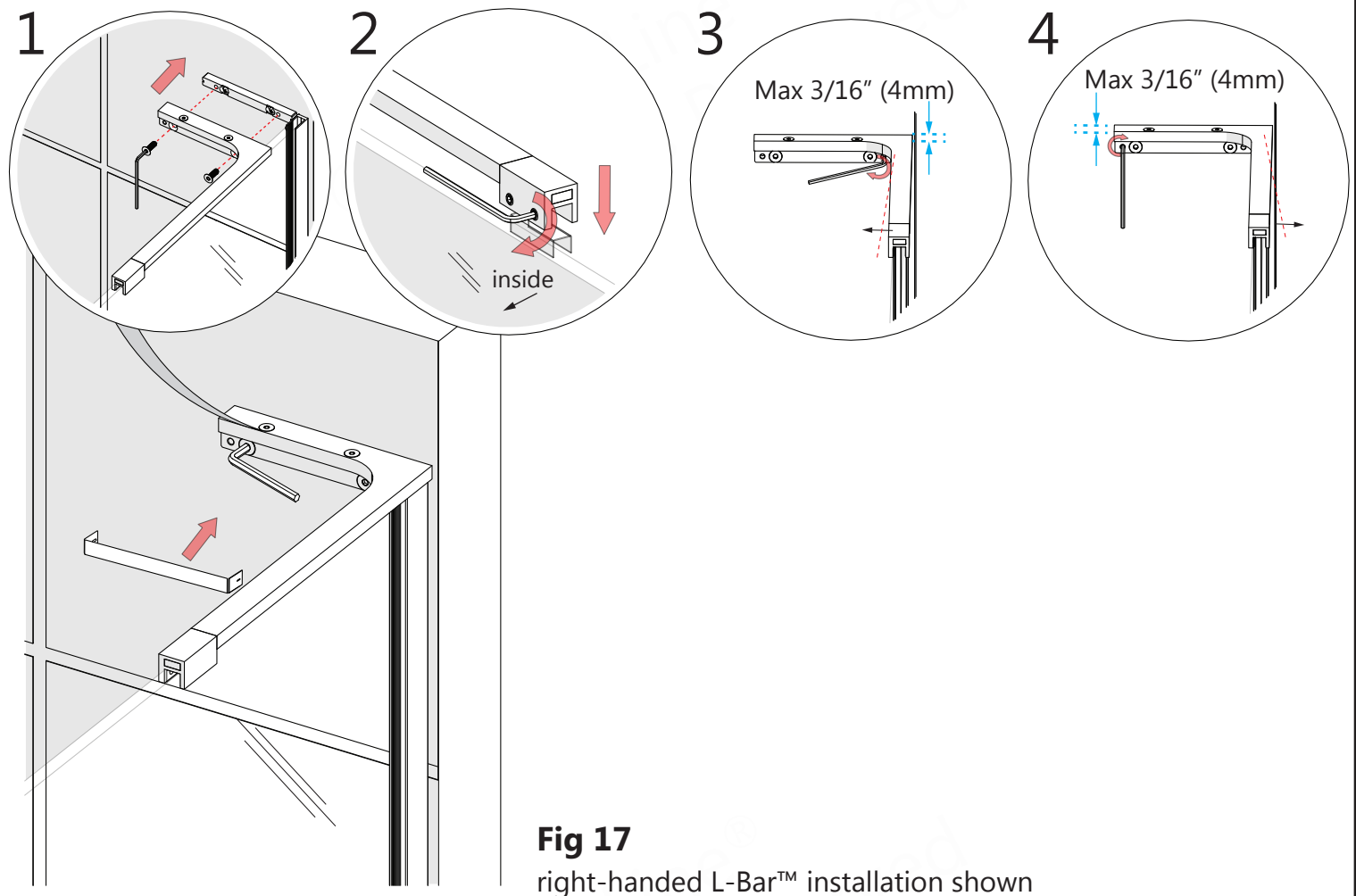
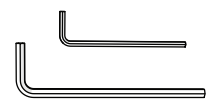


Fig 17
right-handed L-Bar™ installation shown

NOTE

* To adjust the angle of the **L-Bar™**: Loosen the **M5 x 14.5 screws**, rotate the appropriate set screw (**See Fig 18.3 and 18.4**) to adjust the angle of the **L-Bar™** (up to 3/16" (4mm)) in the desired direction. Hand tighten the **M5 x 14.5 screws** after adjustment is complete and replace the decorative cover.

Tools Needed



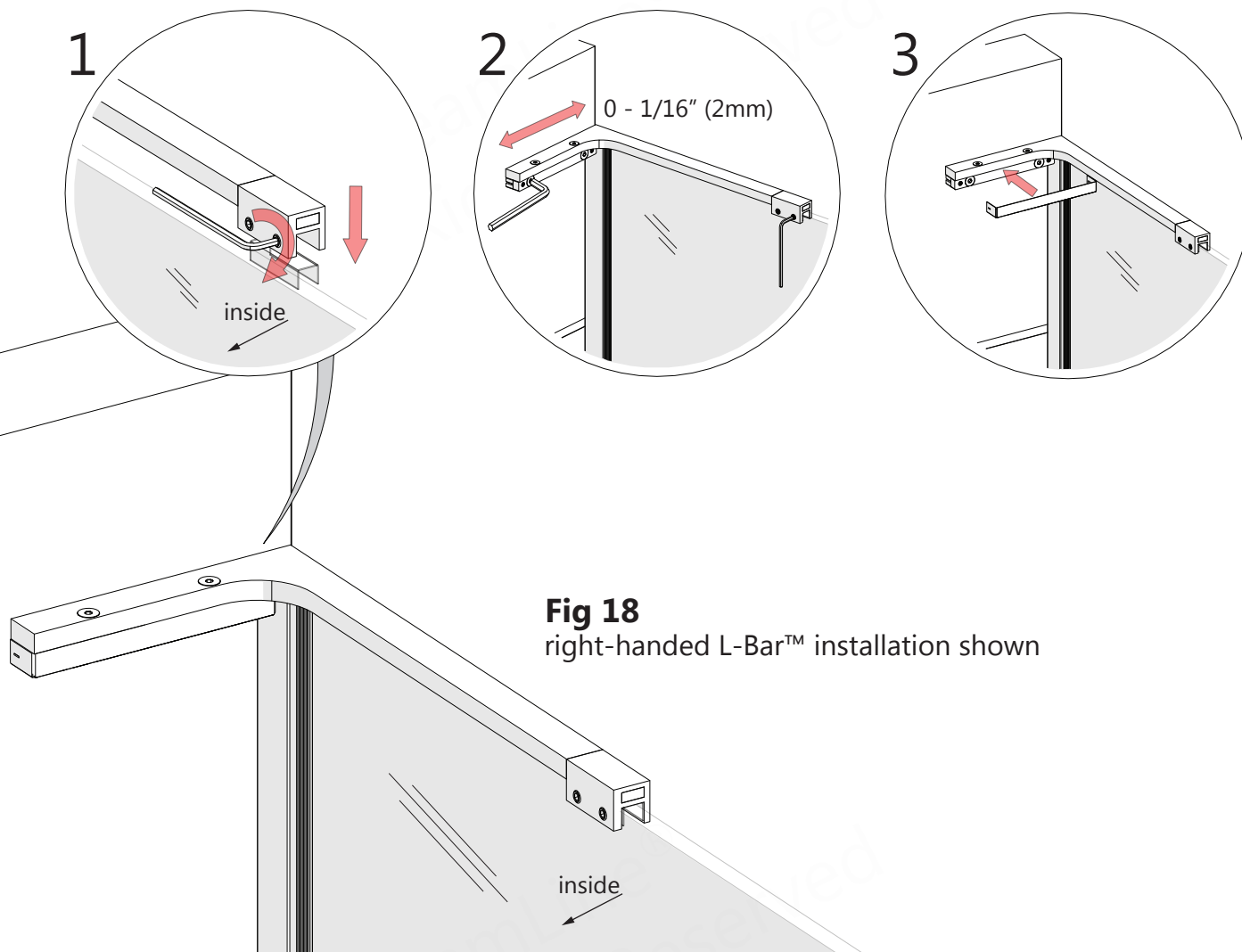
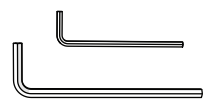


Fig 18
right-handed L-Bar™ installation shown

Tools Needed





The surfaces need to be clean and free of debris before applying silicone

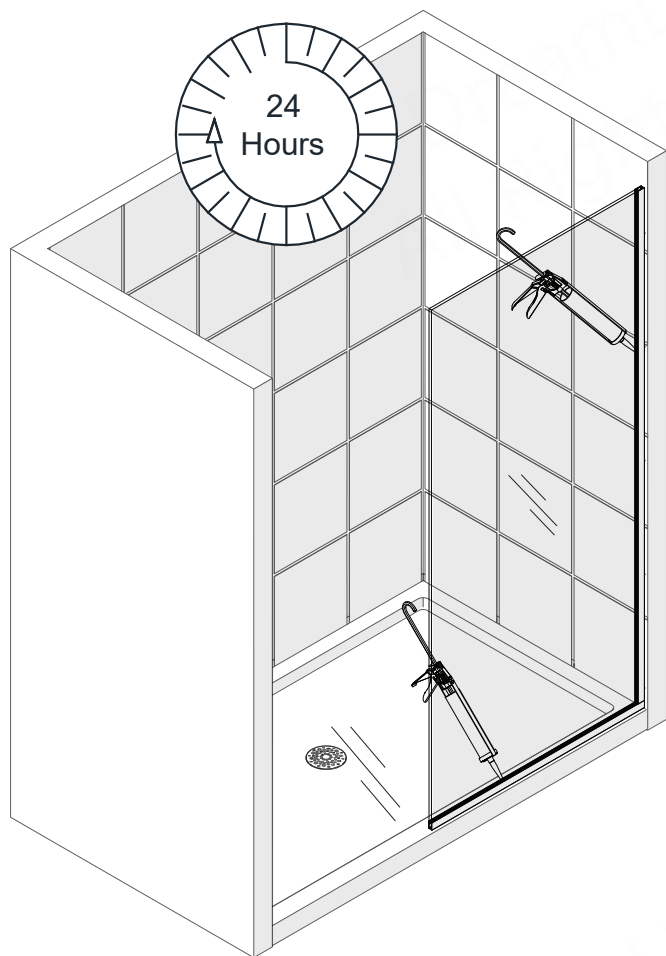


Fig 19a right wall single panel installation shown

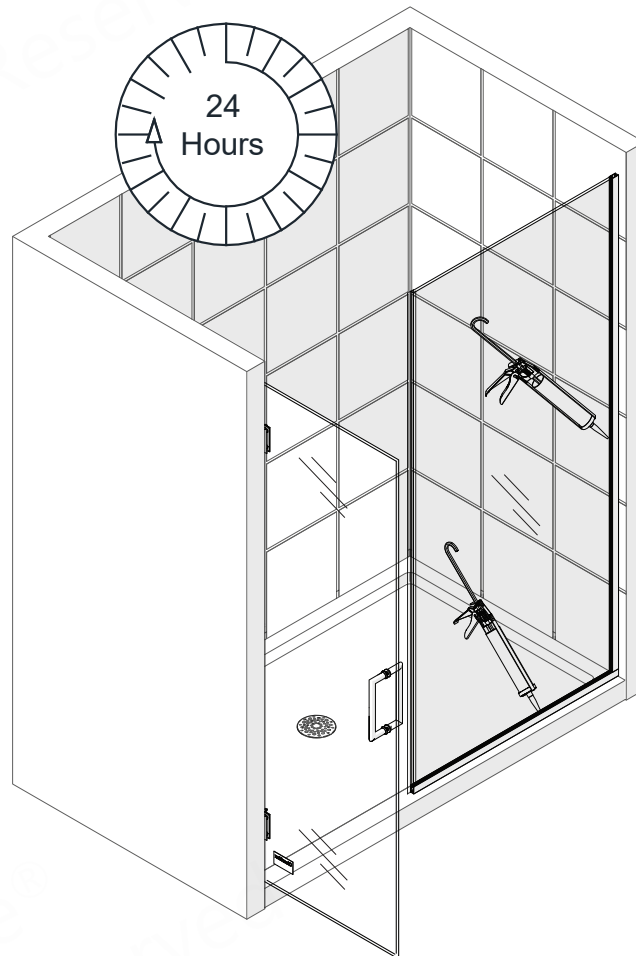


Fig 19b right wall inline panel installation shown



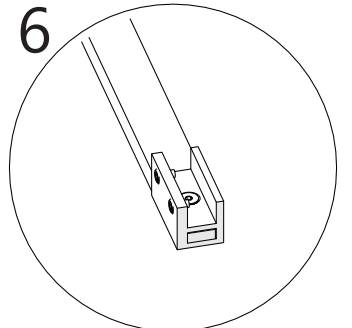
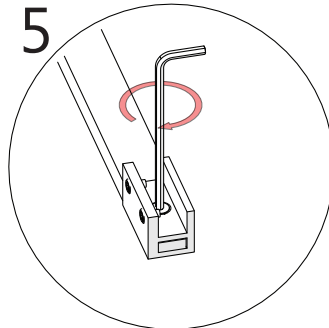
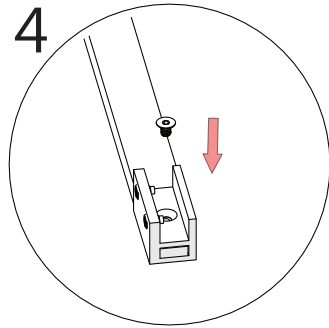
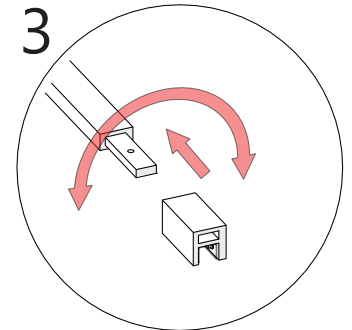
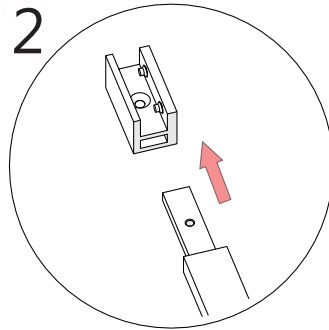
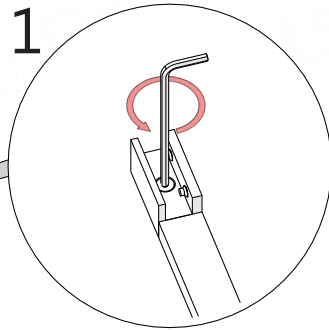
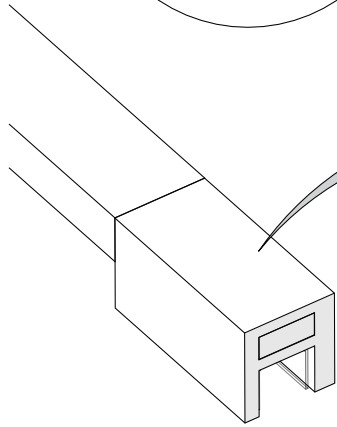
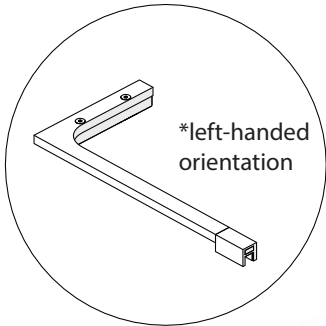
Allow 24 hours for the silicone to cure before using the shower

Tools Needed



Reversible L-Bar™ Feature: Glass Holder

Step 1



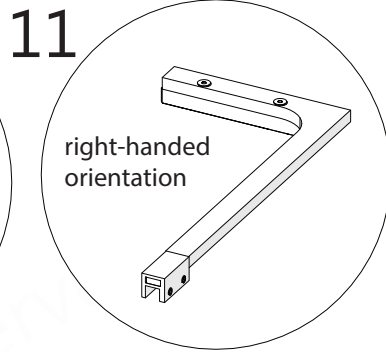
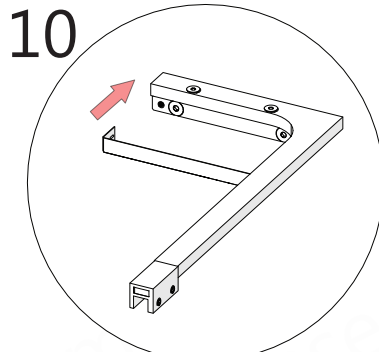
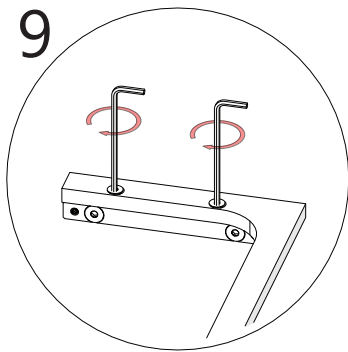
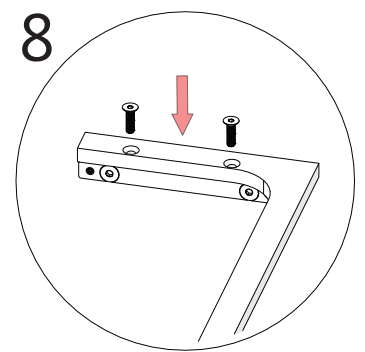
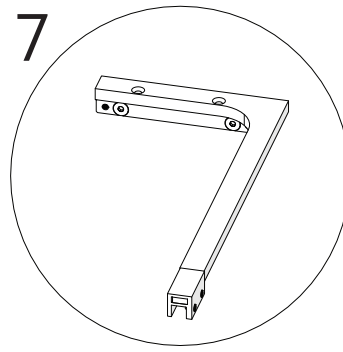
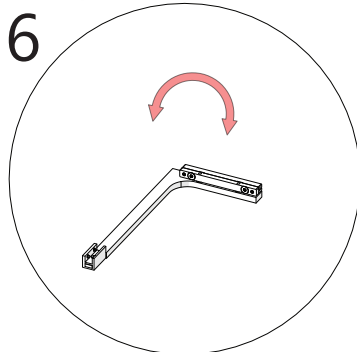
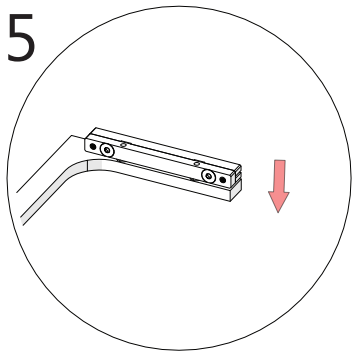
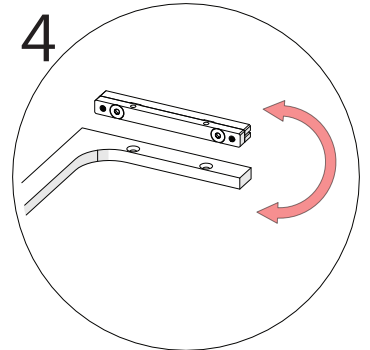
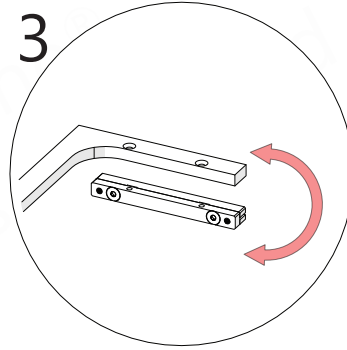
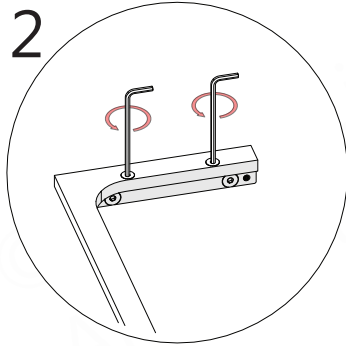
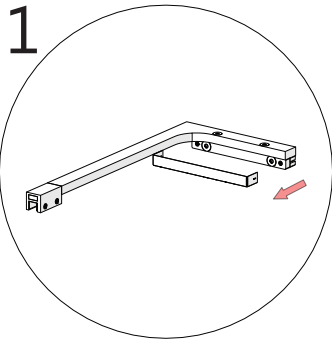
left-to-right handed orientation shown

Tools Needed



Reversible L-Bar™ Feature: Wall Bracket

Step 2



left-to-right handed orientation shown

Tools Needed



Product Maintenance

BASES and BACKWALLS: To ensure long lasting life for your acrylic back walls: wipe them off after each use with a soft cloth. To clean the acrylic back walls use non-abrasive sprays or cream based cleaners. Avoid the use of aerosol spray cleaners. Never use abrasive cleansers, metal brushes or scrapers that could permanently scratch or dull the surface.

GLASS: To ensure long lasting life for your glass shower products: wipe them off after each use with a soft cloth. Rinse and wipe off the glass using either a soft cloth or a squeegee to prevent soap buildup and water spots (Hard water can etch the surface of the glass over time if left to dry). To prevent scratching the surface: never use abrasive cleaners or cleaning products that contain scouring agents. Never use bristle brushes or abrasive sponges that may scratch the surface of the glass.

HARDWARE: To ensure a long lasting finish: wipe off all metal parts after each use with a soft cloth. Do not use abrasive cleaners or cleaning products containing ammonia, bleach or acid. If accidentally used, rinse the surface as soon as possible to prevent damage to the finish (peeling or corrosion). After cleaning the polished finishes, rinse thoroughly and wipe dry with a soft clean-cloth.

Clean stainless steel surfaces at least once a week. When applying stainless steel cleaner or polish to stainless steel hardware, work with the grain (not across the grain). Never use an abrasive sponge or cloth, steel wool or wired brush as these may permanently scratch the surfaces.



To maximize the life of your door, it is important to regularly inspect the glass and other hardware for misalignment, proper attachment, and/or damage. Contact DreamLine® with any questions or concerns.

FRENCH LINEA Maintenance Checklist

- Check that the unit is stable, operates smoothly and that the installation is secure.
- Confirm that all u-channels are tight.
- Confirm that all vinyl seals are intact (replace if missing or damaged to prevent water leakage.)
- Inspect exposed and concealed glass edges for damage **(damaged glass must be replaced!)**
- Inspect silicone for gaps. Replace silicone as necessary to prevent leakage.

Troubleshooting

Problem/Symptom	Suggested Solution	Page(s)
Missing Parts	<ul style="list-style-type: none"> •Check all shipping/packaging material for missing parts/components. •If not found, contact DreamLine Customer Support [1-866-731-2244] to order factory part replacement. 	—
Door Glass does not close flush with the 180° Strike Vinyl (#19) and Inline Panel Glass (#11)	<ul style="list-style-type: none"> •Inspect the 180° Degree Strike Vinyl (#19) and ensure the orientation of the vinyl is correct. •Check that the 180° Degree Strike Vinyl (#19) is installed correctly so the Door Glass closes flush with the vinyl. •Check that the reveal between the door and the strike vinyl is consistent/even. Use a level and adjust the assembly as necessary 	17
Top of Inline Panel Glass (#11) is not flush with the top of the Door Glass	<ul style="list-style-type: none"> • Measure that the height of the Door and Inline Panel Glass is at 72 inches. • Refer to the Door Manual for proper installation of the door. 	—
Leakage: beneath the Bottom U-Channel (#29) and Inline Panel (#11)	<ul style="list-style-type: none"> •Confirm that all screws are tightly secured to the threshold •Inspect the silicone and ensure that a complete application of silicone has been applied. Allow 24 hours to cure the silicone before attempting to use the shower. 	—
L-Bar™ Support Bracket (#30) not installed level with the Inline Panel Glass	<ul style="list-style-type: none"> •Review the L-Bar™ Support Bracket (#30) installation steps to adjust the L-Bar™. •Confirm the gaskets are in place to protect the glass •Removal and re-installation may be necessary •The L-Bar™ must be installed correctly for the safety of the installation 	22-25



Prior to contacting DreamLine® Customer Service, please have the following information readily available:

- Purchase Order Information
 - Name, PO Number, Dealer/Vendor Name, etc.
- SKU/Model Number (see Pages 31-32)
- Factory Part Information (see Pages 31-32)

Factory Parts Information

LINEA SURF {D3234721M11-08}		FACTORY PARTS INFORMATION	
ITEM #	FACTORY PART NUMBER	ITEM DESCRIPTION	QTY
09	07121132	U-Channel 1" SS for 10mm (3/8in) Glass (x71"/1805mm)	1 pc
11	010137131	Inline Panel Glass-Surf Pattern (34" nominal (863.6mm))	1 pc
13	07552148	Wall Anchor, 5/16" (8mm)	8 pcs
23	090108	ST4.2×40mm Truss Head Screw	8 pcs
29	07121131	U-Channel 1" SS for 10mm (3/8in) Glass (x36"/864mm)	1 pc
34	07550083	PVC Glass Spacer 0.5mm	1 pc
19*	063010100-1829	180° Strike Vinyl for 10mm (3/8in) Glass	1 pc
30*	0712 1 150 / 0712 4 150 / 0712 6 150 / 0712 9 150	L-Bar™ Support Bracket 18" (457.2mm)	1 pc

BOLD digit indicates finish: **1** = Chrome; **4**= Brushed SS
6= Oil Rubbed Bronze **9**= Satin Black

Contact Support@DreamLine.com for Part replacement, installation assistance or additional information.
 Complete **Warranty** information is available on DreamLine.com.

Factory Parts Information

LINEA MIRA {D3234721M12-08}		FACTORY PARTS INFORMATION	
ITEM #	FACTORY PART NUMBER	ITEM DESCRIPTION	QTY
09	07121132	U-Channel 1" SS for 10mm (3/8in) Glass x(71"/1805mm)	1 pc
11	010137137	Inline Panel Glass-Mira Pattern (34" nominal (863.6mm))	1 pc
13	07552148	Wall Anchor, 5/16" (8mm)	8 pcs
23	090108	ST4.2×40mm Truss Head Screw	8 pcs
29	07121131	U-Channel 1" SS for 10mm (3/8in) Glass (x36"/864mm)	1 pc
34	07550083	PVC Glass Spacer 0.5mm	1 pc
19*	063010100-1829	180° Strike Vinyl for 10mm (3/8in) Glass	1 pc
30*	0712 1 150 / 0712 4 150 / 0712 6 150 / 0712 9 150	L-Bar™ Support Bracket 18" (457.2mm)	1 pc

BOLD digit indicates finish: **1** = Chrome; **4**= Brushed SS
6= Oil Rubbed Bronze **9**= Satin Black

Contact Support@DreamLine.com for Part replacement, installation assistance or additional information.
 Complete **Warranty** information is available on DreamLine.com.

NOTES

© DreamLine®
All Rights Reserved

© DreamLine®
All Rights Reserved



TEL: 866-731-2244
FAX: 866-857-3638
DREAMLINE.COM



For more information on DreamLine® Shower Doors and Enclosures please visit [DreamLine.com](https://www.DreamLine.com)